



K30 Sub-Family Data Sheet

Supports the following:

MK30X128VLQ100,
MK30X128VMD100,
MK30X256VLQ100,
MK30X256VMD100,
MK30N512VLQ100,
MK30N512VMD100

Features

- Operating Characteristics
 - Voltage range: 1.71 to 3.6 V
 - Flash write voltage range: 1.71 to 3.6 V
 - Temperature range (ambient): -40 to 105°C
- Performance
 - Up to 100 MHz ARM Cortex-M4 core with DSP instructions delivering 1.25 Dhrystone MIPS per MHz
- Memories and memory interfaces
 - Up to 512 KB program flash memory on non-FlexMemory devices
 - Up to 256 KB program flash memory on FlexMemory devices
 - Up to 256 KB FlexNVM on FlexMemory devices
 - 4 KB FlexRAM on FlexMemory devices
 - Up to 128 KB RAM
 - Serial programming interface (EzPort)
 - FlexBus external bus interface
- Clocks
 - 1 to 32 MHz crystal oscillator
 - 32 kHz crystal oscillator
 - Multi-purpose clock generator
- System peripherals
 - 10 low-power modes to provide power optimization based on application requirements
 - Memory protection unit with multi-master protection
 - 16-channel DMA controller, supporting up to 64 request sources
 - External watchdog monitor
 - Software watchdog
 - Low-leakage wakeup unit
- Security and integrity modules
 - Hardware CRC module to support fast cyclic redundancy checks
 - 128-bit unique identification (ID) number per chip
- Human-machine interface
 - Segment LCD controller supporting up to 40 frontplanes and 8 backplanes, or 44 frontplanes and 4 backplanes
 - Low-power hardware touch sensor interface (TSI)
 - General-purpose input/output
- Analog modules
 - 16-bit SAR ADC with PGA (x64)
 - 12-bit DAC
 - Analog comparator (CMP) containing a 6-bit DAC and programmable reference input
 - Voltage reference
- Timers
 - Programmable delay block
 - Eight-channel motor control/general purpose/PWM timers
 - Two-channel quadrature decoder/general purpose timers
 - Periodic interrupt timers
 - 16-bit low-power timer
 - Carrier modulator transmitter
 - Real-time clock
- Communication interfaces
 - Controller Area Network (CAN) module
 - SPI modules
 - I2C modules
 - UART modules
 - Secure Digital host controller (SDHC)
 - I2S

K30P144M100SF2



This document contains information on a product under development. Freescale reserves the right to change or discontinue this product without notice.

Preliminary

Table of Contents

1	Ordering parts.....	5	6.1	Core modules.....	20
1.1	Determining valid orderable parts.....	5	6.1.1	Debug trace timing specifications.....	20
2	Part identification.....	5	6.1.2	JTAG electricals.....	21
2.1	Description.....	5	6.2	System modules.....	24
2.2	Format.....	5	6.3	Clock modules.....	24
2.3	Fields.....	5	6.3.1	MCG Specifications.....	24
2.4	Example.....	6	6.3.2	Oscillator Electrical Characteristics.....	26
3	Terminology and guidelines.....	6	6.3.2.1	Oscillator DC Electrical Specifications.....	26
3.1	Definition: Operating requirement.....	6	6.3.2.2	Oscillator frequency specifications.....	27
3.2	Definition: Operating behavior.....	7	6.3.3	32kHz Oscillator Electrical Characteristics.....	28
3.3	Definition: Attribute.....	7	6.3.3.1	32kHz Oscillator DC Electrical Specifications.....	28
3.4	Definition: Rating.....	8	6.3.3.2	32kHz Oscillator Frequency Specifications.....	28
3.5	Result of exceeding a rating.....	8	6.4	Memories and memory interfaces.....	29
3.6	Relationship between ratings and operating requirements.....	8	6.4.1	Flash (FTFL) Electrical Characteristics.....	29
3.7	Guidelines for ratings and operating requirements.....	9	6.4.1.1	Flash Timing Parameters — Program and Erase.....	29
3.8	Definition: Typical value.....	9	6.4.1.2	Flash Timing Parameters — Commands.....	29
3.9	Typical Value Conditions.....	10	6.4.1.3	Flash (FTFL) Current and Power Parameters.....	31
4	Ratings.....	10	6.4.1.4	Reliability Characteristics.....	31
4.1	Thermal handling ratings.....	10	6.4.1.5	Write Endurance to FlexRAM for EEPROM.....	32
4.2	Moisture handling ratings.....	11	6.4.2	EzPort Switching Specifications.....	33
4.3	ESD handling ratings.....	11	6.4.3	Flexbus Switching Specifications.....	34
4.4	Voltage and current operating ratings.....	11	6.5	Security and integrity modules.....	36
5	General.....	12	6.6	Analog.....	36
5.1	Nonswitching electrical specifications.....	12	6.6.1	ADC electrical specifications.....	36
5.1.1	Voltage and Current Operating Requirements.....	12	6.6.1.1	16-bit ADC operating conditions.....	37
5.1.2	LVD and POR operating requirements.....	13	6.6.1.2	16-bit ADC electrical characteristics.....	39
5.1.3	Voltage and current operating behaviors.....	14	6.6.1.3	16-bit ADC with PGA operating conditions.....	42
5.1.4	Power mode transition operating behaviors.....	14	6.6.1.4	16-bit ADC with PGA characteristics.....	43
5.1.5	Power consumption operating behaviors.....	15	6.6.2	CMP and 6-bit DAC electrical specifications.....	44
5.1.5.1	Diagram: Typical IDD_RUN operating behavior.....	17	6.6.3	12-bit DAC electrical characteristics.....	45
5.1.6	EMC radiated emissions operating behaviors.....	18	6.6.3.1	12-bit DAC operating requirements.....	45
5.1.7	Designing with radiated emissions in mind.....	19	6.6.3.2	12-bit DAC operating behaviors.....	46
5.1.8	Capacitance attributes.....	19	6.6.4	Voltage Reference Electrical Specifications.....	48
5.2	Switching electrical specifications.....	19			
5.3	Thermal specifications.....	19			
5.3.1	Thermal operating requirements.....	20			
5.3.2	Thermal attributes.....	20			
6	Peripheral operating requirements and behaviors.....	20			

6.7 Timers.....	49	6.9.1 General Switching Specifications.....	56
6.8 Communication interfaces.....	49	6.9.2 TSI Electrical Specifications.....	56
6.8.1 DSPI Switching Specifications for Low-speed Operation.....	50	6.9.3 LCD electrical characteristics.....	57
6.8.2 DSPI Switching Specifications (High-speed mode).....	51	7 Dimensions.....	58
6.8.3 SDHC Specifications.....	53	7.1 Obtaining package dimensions.....	58
6.8.4 I2S Switching Specifications.....	54	8 Pinout.....	59
6.9 Human-machine interfaces (HMI).....	56	8.1 K30 Signal Multiplexing and Pin Assignments.....	59
		8.2 K30 Pinouts.....	64
		9 Revision History.....	66

Preliminary

1 Ordering parts

1.1 Determining valid orderable parts

Valid orderable part numbers are provided on the web. To determine the orderable part numbers for this device, go to www.freescale.com and perform a part number search for the following device numbers: PK30 and MK30.

2 Part identification

2.1 Description

Part numbers for the chip have fields that identify the specific part. You can use the values of these fields to determine the specific part you have received.

2.2 Format

Part numbers for this device have the following format:

Q K## M FFF T PP CCC N

2.3 Fields

This table lists the possible values for each field in the part number (not all combinations are valid):

Field	Description	Values
Q	Qualification status	<ul style="list-style-type: none"> M = Fully qualified, general market flow P = Prequalification
K##	Kinetis family	<ul style="list-style-type: none"> K30
M	Flash memory type	<ul style="list-style-type: none"> N = Program flash only X = Program flash and FlexMemory

Table continues on the next page...

Terminology and guidelines

Field	Description	Values
FFF	Program flash memory size	<ul style="list-style-type: none"> • 32 = 32 KB • 64 = 64 KB • 128 = 128 KB • 256 = 256 KB • 512 = 512 KB • 1M0 = 1 MB
T	Temperature range (°C)	<ul style="list-style-type: none"> • V = -40 to 105
PP	Package identifier	<ul style="list-style-type: none"> • FM = 32 QFN (5 mm x 5 mm) • FT = 48 QFN (7 mm x 7 mm) • LF = 48 LQFP (7 mm x 7 mm) • FX = 64 QFN (9 mm x 9 mm) • LH = 64 LQFP (10 mm x 10 mm) • LK = 80 LQFP (12 mm x 12 mm) • MB = 81 MAPBGA (8 mm x 8 mm) • LL = 100 LQFP (14 mm x 14 mm) • ML = 104 MAPBGA (8 mm x 8 mm) • LQ = 144 LQFP (20 mm x 20 mm) • MD = 144 MAPBGA (13 mm x 13 mm) • MF = 196 MAPBGA (15 mm x 15 mm) • MJ = 256 MAPBGA (17 mm x 17 mm)
CCC	Maximum CPU frequency (MHz)	<ul style="list-style-type: none"> • 50 = 50 MHz • 72 = 72 MHz • 100 = 100 MHz • 120 = 120 MHz • 150 = 150 MHz
N	Packaging type	<ul style="list-style-type: none"> • R = Tape and reel • (Blank) = Trays

2.4 Example

This is an example part number:

MK30X256VMD100

3 Terminology and guidelines

3.1 Definition: Operating requirement

An *operating requirement* is a specified value or range of values for a technical characteristic that you must guarantee during operation to avoid incorrect operation and possibly decreasing the useful life of the chip.

3.1.1 Example

This is an example of an operating requirement, which you must meet for the accompanying operating behaviors to be guaranteed:

Symbol	Description	Min.	Max.	Unit
V _{DD}	1.0 V core supply voltage	0.9	1.1	V

3.2 Definition: Operating behavior

An *operating behavior* is a specified value or range of values for a technical characteristic that are guaranteed during operation if you meet the operating requirements and any other specified conditions.

3.2.1 Example

This is an example of an operating behavior, which is guaranteed if you meet the accompanying operating requirements:

Symbol	Description	Min.	Max.	Unit
I _{WP}	Digital I/O weak pullup/pulldown current	10	130	μA

3.3 Definition: Attribute

An *attribute* is a specified value or range of values for a technical characteristic that are guaranteed, regardless of whether you meet the operating requirements.

3.3.1 Example

This is an example of an attribute:

Symbol	Description	Min.	Max.	Unit
CIN_D	Input capacitance: digital pins	—	7	pF

3.4 Definition: Rating

A *rating* is a minimum or maximum value of a technical characteristic that, if exceeded, may cause permanent chip failure:

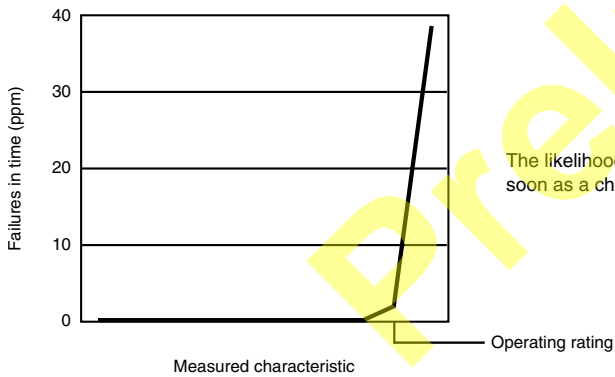
- *Operating ratings* apply during operation of the chip.
- *Handling ratings* apply when the chip is not powered.

3.4.1 Example

This is an example of an operating rating:

Symbol	Description	Min.	Max.	Unit
V _{DD}	1.0 V core supply voltage	-0.3	1.2	V

3.5 Result of exceeding a rating



The likelihood of permanent chip failure increases rapidly as soon as a characteristic begins to exceed one of its operating ratings.

3.6 Relationship between ratings and operating requirements

Operating or handling rating (min.)		Operating requirement (min.)		Operating requirement (max.)		Operating or handling rating (max.)	
Fatal range - Probable permanent failure	Limited operating range - No permanent failure - Possible decreased life - Possible incorrect operation	Normal operating range - No permanent failure - Correct operation	Limited operating range - No permanent failure - Possible decreased life - Possible incorrect operation	Limited operating range - No permanent failure - Possible decreased life - Possible incorrect operation	Fatal range - Probable permanent failure		
Handling range - No permanent failure							

3.7 Guidelines for ratings and operating requirements

Follow these guidelines for ratings and operating requirements:

- Never exceed any of the chip's ratings.
- During normal operation, don't exceed any of the chip's operating requirements.
- If you must exceed an operating requirement at times other than during normal operation (for example, during power sequencing), limit the duration as much as possible.

3.8 Definition: Typical value

A *typical value* is a specified value for a technical characteristic that:

- Lies within the range of values specified by the operating behavior
- Given the typical manufacturing process, is representative of that characteristic during operation when you meet the typical-value conditions or other specified conditions

Typical values are provided as design guidelines and are neither tested nor guaranteed.

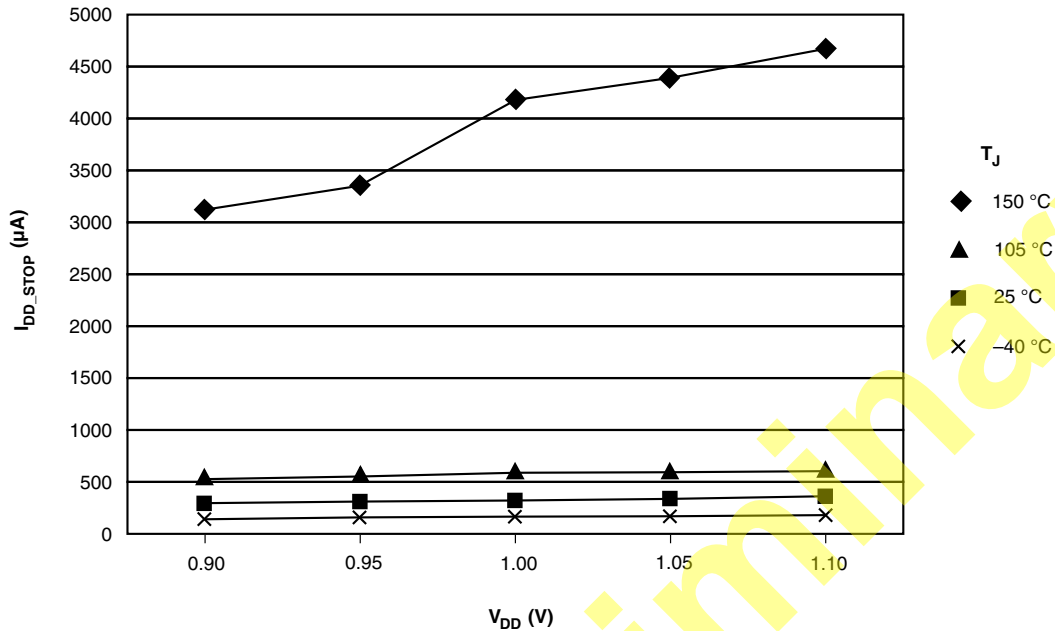
3.8.1 Example 1

This is an example of an operating behavior that includes a typical value:

Symbol	Description	Min.	Typ.	Max.	Unit
I _{WP}	Digital I/O weak pullup/pulldown current	10	70	130	μA

3.8.2 Example 2

This is an example of a chart that shows typical values for various voltage and temperature conditions:



3.9 Typical Value Conditions

Typical values assume you meet the following conditions (or other conditions as specified):

Symbol	Description	Value	Unit
T _A	Ambient temperature	25	°C
V _{DD}	3.3 V supply voltage	3.3	V

4 Ratings

4.1 Thermal handling ratings

Symbol	Description	Min.	Max.	Unit	Notes
T _{STG}	Storage temperature	-55	150	°C	1
T _{SDR}	Solder temperature, lead-free	—	260	°C	2
	Solder temperature, leaded	—	245		

1. Determined according to JEDEC Standard JESD22-A103, *High Temperature Storage Life*.
2. Determined according to IPC/JEDEC Standard J-STD-020, *Moisture/Reflow Sensitivity Classification for Nonhermetic Solid State Surface Mount Devices*.

4.2 Moisture handling ratings

Symbol	Description	Min.	Max.	Unit	Notes
MSL	Moisture sensitivity level	—	3	—	1

1. Determined according to IPC/JEDEC Standard J-STD-020, *Moisture/Reflow Sensitivity Classification for Nonhermetic Solid State Surface Mount Devices*.

4.3 ESD handling ratings

Symbol	Description	Min.	Max.	Unit	Notes
V _{HBM}	Electrostatic discharge voltage, human body model	-2000	+2000	V	1
V _{CDM}	Electrostatic discharge voltage, charged-device model	-500	+500	V	2
I _{LAT}	Latch-up current at ambient temperature of 85°C	-100	+100	mA	

1. Determined according to JEDEC Standard JESD22-A114, *Electrostatic Discharge (ESD) Sensitivity Testing Human Body Model (HBM)*.
2. Determined according to JEDEC Standard JESD22-C101, *Field-Induced Charged-Device Model Test Method for Electrostatic-Discharge-Withstand Thresholds of Microelectronic Components*.

4.4 Voltage and current operating ratings

Symbol	Description	Min.	Max.	Unit
V _{DD}	Digital supply voltage	-0.3	3.8	V
I _{DD}	Digital supply current	—	185	mA
V _{DIO}	Digital input voltage (except $\overline{\text{RESET}}$, EXTAL, and XTAL)	-0.3	5.5	V
V _{AIO}	Analog, $\overline{\text{RESET}}$, EXTAL, and XTAL input voltage	-0.3	V _{DD} + 0.3	V

Table continues on the next page...

General

Symbol	Description	Min.	Max.	Unit
I_D	Instantaneous maximum current single pin limit (applies to all port pins)	-25	25	mA
V_{DDA}	Analog supply voltage	$V_{DD} - 0.3$	$V_{DD} + 0.3$	V
I_{DDA}	Analog supply current ¹	TBD	TBD	mA
V_{BAT}	RTC battery supply voltage	-0.3	3.8	V
V_{RAM}	V_{DD} voltage required to retain RAM	1.2	—	V
V_{RFVBAT}	V_{BAT} voltage required to retain the VBAT register file	TBD	—	V

1. The analog supply current is the sum of the active or disabled current for each of the analog modules on the device. See each module's specification for its supply current.

5 General

5.1 Nonswitching electrical specifications

5.1.1 Voltage and Current Operating Requirements

Table 1. Voltage and current operating requirements

Symbol	Description	Min.	Max.	Unit	Notes
V_{DD}	Supply voltage	1.71	3.6	V	
V_{DDA}	Analog supply voltage	1.71	3.6	V	
$V_{DD} - V_{DDA}$	V_{DD} -to- V_{DDA} differential voltage	-0.1	0.1	V	
$V_{SS} - V_{SSA}$	V_{SS} -to- V_{SSA} differential voltage	-0.1	0.1	V	
V_{IH}	Input high voltage <ul style="list-style-type: none"> • $2.7\text{ V} \leq V_{DD} \leq 3.6\text{ V}$ • $1.7\text{ V} \leq V_{DD} \leq 2.7\text{ V}$ 	$0.7 \times V_{DD}$	—	V	
		$0.75 \times V_{DD}$	—	V	
V_{IL}	Input low voltage <ul style="list-style-type: none"> • $2.7\text{ V} \leq V_{DD} \leq 3.6\text{ V}$ • $1.7\text{ V} \leq V_{DD} \leq 2.7\text{ V}$ 	—	$0.35 \times V_{DD}$	V	
		—	$0.3 \times V_{DD}$	V	
V_{HYS}	Input hysteresis	$0.06 \times V_{DD}$	—	V	

Table continues on the next page...

Table 1. Voltage and current operating requirements (continued)

Symbol	Description	Min.	Max.	Unit	Notes
I_{IC}	DC injection current — single pin				1
	<ul style="list-style-type: none"> $V_{IN} > V_{DD}$ $V_{IN} < V_{SS}$ 	0	2	mA	
		0	-0.2	mA	
	DC injection current — total MCU limit, includes sum of all stressed pins				1
	<ul style="list-style-type: none"> $V_{IN} > V_{DD}$ $V_{IN} < V_{SS}$ 	0	25	mA	
		0	-5	mA	

1. All functional non-supply pins are internally clamped to VSS and VDD. Input must be current limited to the value specified. To determine the value of the required current-limiting resistor, calculate resistance values for positive and negative clamp voltages, then use the larger of the two values. Power supply must maintain regulation within operating VDD range during instantaneous and operating maximum current conditions. If positive injection current ($V_{IN} > V_{DD}$) is greater than I_{DD} , the injection current may flow out of VDD and could result in external power supply going out of regulation. Ensure external VDD load will shunt current greater than maximum injection current. This will be the greatest risk when the MCU is not consuming power. Examples are: if no system clock is present, or if clock rate is very low (which would reduce overall power consumption).

5.1.2 LVD and POR operating requirements

Table 2. LVD and POR operating requirements

Symbol	Description	Min.	Typ.	Max.	Unit	Notes
V_{POR}	Falling VDD POR detect voltage	TBD	1.1	TBD	V	
V_{LVDH}	Falling low-voltage detect threshold — high range (LVDV=01)	TBD	2.56	TBD	V	
	Low-voltage warning thresholds — high range					1
V_{LVW1}	<ul style="list-style-type: none"> Level 1 falling (LVWV=00) 	TBD	2.70	TBD	V	
V_{LVW2}	<ul style="list-style-type: none"> Level 2 falling (LVWV=01) 	TBD	2.80	TBD	V	
V_{LVW3}	<ul style="list-style-type: none"> Level 3 falling (LVWV=10) 	TBD	2.90	TBD	V	
V_{LVW4}	<ul style="list-style-type: none"> Level 4 falling (LVWV=11) 	TBD	3.00	TBD	V	
V_{HYS}	Low-voltage inhibit reset/recover hysteresis — high range		60		mV	
V_{LVDL}	Falling low-voltage detect threshold — low range (LVDV=00)	TBD	TBD	TBD	V	
	Low-voltage warning thresholds — low range					1
V_{LVW1}	<ul style="list-style-type: none"> Level 1 falling (LVWV=00) 	TBD	1.80	TBD	V	
V_{LVW2}	<ul style="list-style-type: none"> Level 2 falling (LVWV=01) 	TBD	1.90	TBD	V	
V_{LVW3}	<ul style="list-style-type: none"> Level 3 falling (LVWV=10) 	TBD	2.00	TBD	V	
V_{LVW4}	<ul style="list-style-type: none"> Level 4 falling (LVWV=11) 	TBD	2.10	TBD	V	

Table continues on the next page...

Table 2. LVD and POR operating requirements (continued)

Symbol	Description	Min.	Typ.	Max.	Unit	Notes
V_{HYS}	Low-voltage inhibit reset/recover hysteresis — low range		40		mV	
V_{BG}	Bandgap voltage reference	TBD	1.00	TBD	V	
t_{LPO}	Internal low power oscillator period factory trimmed	TBD	1000	TBD	μ s	

1. Rising thresholds are falling threshold + V_{HYS}

5.1.3 Voltage and current operating behaviors

Table 3. Voltage and current operating behaviors

Symbol	Description	Min.	Max.	Unit	Notes
V_{OH}	Output high voltage — high drive strength				
	• $2.7\text{ V} \leq V_{DD} \leq 3.6\text{ V}$, $I_{OH} = -10\text{mA}$	$V_{DD} - 0.5$	—	V	
	• $1.71\text{ V} \leq V_{DD} \leq 2.7\text{ V}$, $I_{OH} = -3\text{mA}$	$V_{DD} - 0.5$	—	V	
	Output high voltage — low drive strength				
• $2.7\text{ V} \leq V_{DD} \leq 3.6\text{ V}$, $I_{OH} = -2\text{mA}$	$V_{DD} - 0.5$	—	V		
• $1.71\text{ V} \leq V_{DD} \leq 2.7\text{ V}$, $I_{OH} = -0.6\text{mA}$	$V_{DD} - 0.5$	—	V		
I_{OHT}	Output high current total for all ports	—	100	mA	
V_{OL}	Output low voltage — high drive strength				
	• $2.7\text{ V} \leq V_{DD} \leq 3.6\text{ V}$, $I_{OL} = 10\text{mA}$	—	0.5	V	
	• $1.71\text{ V} \leq V_{DD} \leq 2.7\text{ V}$, $I_{OL} = 3\text{mA}$	—	0.5	V	
	Output low voltage — low drive strength				
• $2.7\text{ V} \leq V_{DD} \leq 3.6\text{ V}$, $I_{OL} = 2\text{mA}$	—	0.5	V		
• $1.71\text{ V} \leq V_{DD} \leq 2.7\text{ V}$, $I_{OL} = 0.6\text{mA}$	—	0.5	V		
I_{OLT}	Output low current total for all ports	—	100	mA	
I_{IN}	Input leakage current (per pin)	—	1	μ A	
I_{OZ}	Hi-Z (off-state) leakage current (per pin)	—	1	μ A	
R_{PU} and R_{PD}	Internal weak pullup and pulldown resistors	30	50	k Ω	1

1. Measured at V_{IL} max and V_{DD} min

5.1.4 Power mode transition operating behaviors

In the table below, all specifications except t_{POR} , assume the following clock configuration:

- CPU and system clocks = 100MHz
- Bus and FlexBus clocks = 50 MHz
- Flash clock = 25 MHz

Table 4. Power mode transition operating behaviors

Symbol	Description	Min.	Max.	Unit	Notes
t_{POR}	After a POR event, amount of time from the point V_{DD} reaches 1.8V to execution of the first instruction across the operating temperature range of the chip.	—	300	μs	1
	RUN \rightarrow VLLS1 \rightarrow RUN				
	• RUN \rightarrow VLLS1	—	4.1	μs	
	• VLLS1 \rightarrow RUN	—	123.8	μs	
	RUN \rightarrow VLLS2 \rightarrow RUN				
	• RUN \rightarrow VLLS2	—	4.1	μs	
	• VLLS2 \rightarrow RUN	—	49.3	μs	
	RUN \rightarrow VLLS3 \rightarrow RUN				
	• RUN \rightarrow VLLS3	—	4.1	μs	
	• VLLS3 \rightarrow RUN	—	49.2	μs	
	RUN \rightarrow LLS \rightarrow RUN				
	• RUN \rightarrow LLS	—	4.1	μs	
	• LLS \rightarrow RUN	—	5.9	μs	
	RUN \rightarrow STOP \rightarrow RUN				
	• RUN \rightarrow STOP	—	4.1	μs	
	• STOP \rightarrow RUN	—	4.2	μs	
	RUN \rightarrow VLPS \rightarrow RUN				
	• RUN \rightarrow VLPS	—	4.1	μs	
	• VLPS \rightarrow RUN	—	5.8	μs	

1. Normal boot (FTFL_OPT[LPBOOT]=1)

5.1.5 Power consumption operating behaviors

Table 5. Power consumption operating behaviors

Symbol	Description	Min.	Typ.	Max.	Unit	Notes
I _{DD_RUN}	Run mode current — all peripheral clocks disabled, code executing from flash <ul style="list-style-type: none"> @ 1.8V @ 3.0V 	—	40	TBD	mA	1
		—	42	TBD	mA	
I _{DD_RUN}	Run mode current — all peripheral clocks enabled, code executing from flash <ul style="list-style-type: none"> @ 1.8V @ 3.0V 	—	55	TBD	mA	2
		—	56	TBD	mA	
I _{DD_RUN_M} AX	Run mode current — all peripheral clocks enabled and peripherals active, code executing from flash <ul style="list-style-type: none"> @ 1.8V @ 3.0V 	—	85	TBD	mA	3
		—	85	TBD	mA	
I _{DD_WAIT}	Wait mode current at 3.0 V — all peripheral clocks disabled	—	15	TBD	mA	4
I _{DD_STOP}	Stop mode current at 3.0 V	—	1.4	TBD	mA	
I _{DD_VLPR}	Very-low-power run mode current at 3.0 V — all peripheral clocks disabled	—	1.25	TBD	mA	5
I _{DD_VLPR}	Very-low-power run mode current at 3.0 V — all peripheral clocks enabled	—	TBD	TBD	mA	6
I _{DD_VLPW}	Very-low-power wait mode current at 3.0 V	—	1.05	TBD	mA	7
I _{DD_VLPS}	Very-low-power stop mode current at 3.0 V	—	30	TBD	μA	
I _{DD_LLS}	Low leakage stop mode current at 3.0 V	—	12	TBD	μA	
I _{DD_VLLS3}	Very low-leakage stop mode 3 current at 3.0 V <ul style="list-style-type: none"> 128KB RAM devices 64KB RAM devices 32KB RAM devices 	—	8	TBD	μA	
		—	6	TBD	μA	
		—	5	TBD	μA	
I _{DD_VLLS2}	Very low-leakage stop mode 2 current at 3.0 V	—	4	TBD	μA	
I _{DD_VLLS1}	Very low-leakage stop mode 1 current at 3.0 V	—	2	TBD	μA	
I _{DD_VBAT}	Average current when CPU is not accessing RTC registers at 3.0 V	—	550	TBD	nA	

- 100MHz core and system clock, 50MHz bus and FlexBus clock, and 25MHz flash clock . MCG configured for FEI mode. All peripheral clocks disabled.
- 100MHz core and system clock, 50MHz bus and FlexBus clocks, and 25MHz flash clock. MCG configured for FEI mode. All peripheral clocks enabled, but peripherals are not in active operation.
- 100MHz core and system clock, 50MHz bus and FlexBus clocks, and 25MHz flash clock. MCG configured for FEI mode. All peripheral clocks enabled, and peripherals are in active operation.
- 25MHz core and system clock, 25MHz bus clock, and 12.5MHz FlexBus and flash clocks. MCG configured for FEI mode.
- 2 MHz core, system, bus and FlexBus clock and 1MHz flash clock. MCG configured for fast IRCLK mode. All peripheral clocks disabled. Code executing from flash.

6. 2 MHz core, system, bus and FlexBus clock and 1MHz flash clock. MCG configured for fast IRCLK mode. All peripheral clocks enabled but peripherals are not in active operation. Code executing from flash.
7. 2 MHz core, system, bus and FlexBus clock and 1MHz flash clock. MCG configured for fast IRCLK mode. All peripheral clocks disabled.

5.1.5.1 Diagram: Typical IDD_RUN operating behavior

The following data was measured under these conditions:

- MCG in FEI mode (39.0625 kHz IRC), except for 1 MHz core (FBE)
- All peripheral clocks disabled except FTFL
- LVD disabled
- No GPIOs toggled
- Code execution from flash

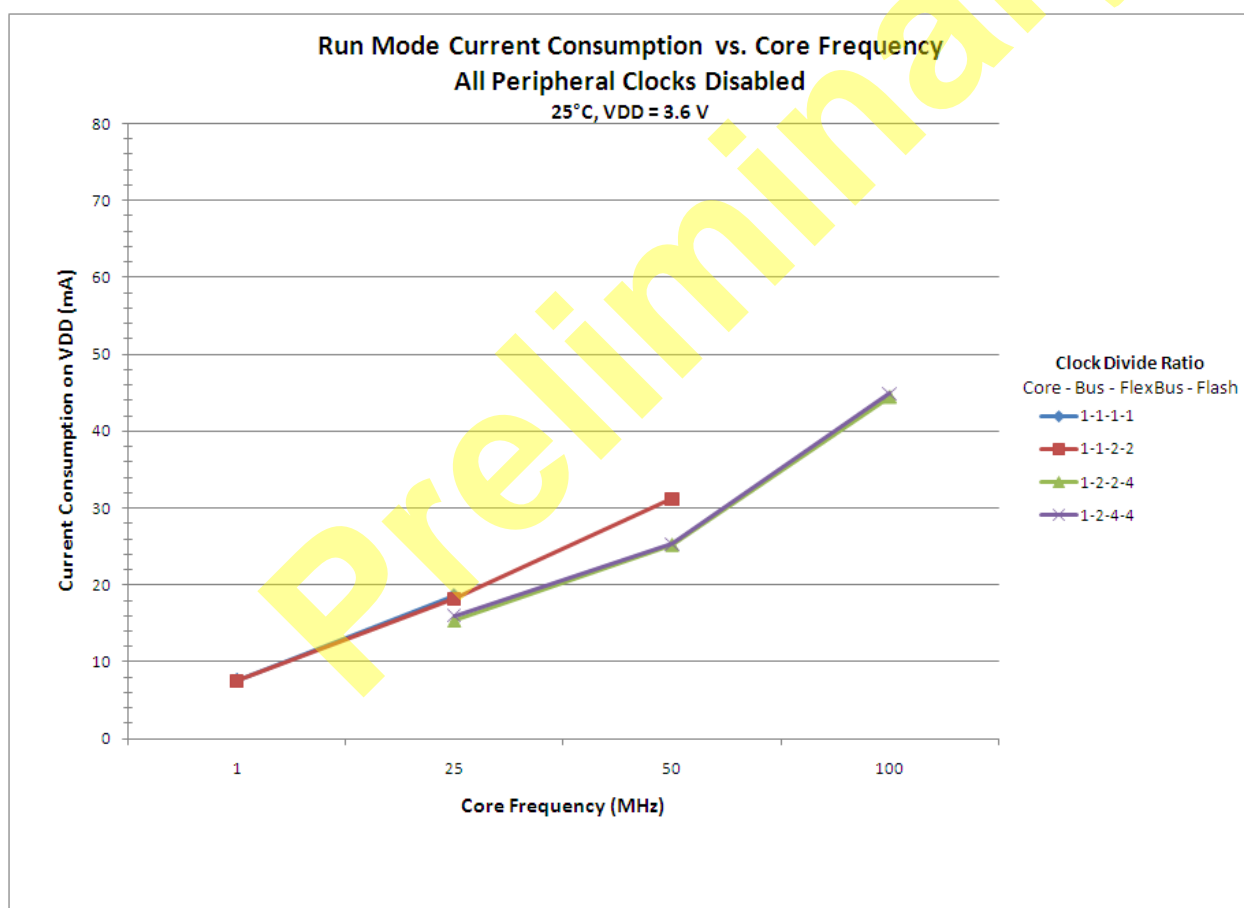


Figure 1. Run mode supply current vs. core frequency — all peripheral clocks disabled

The following data was measured under these conditions:

- MCG in FEI mode (39.0625 kHz IRC), except for 1 MHz core (FBE)
- All peripheral clocks enabled but peripherals are not in active operation
- LVD disabled

General

- No GPIOs toggled
- Code execution from flash

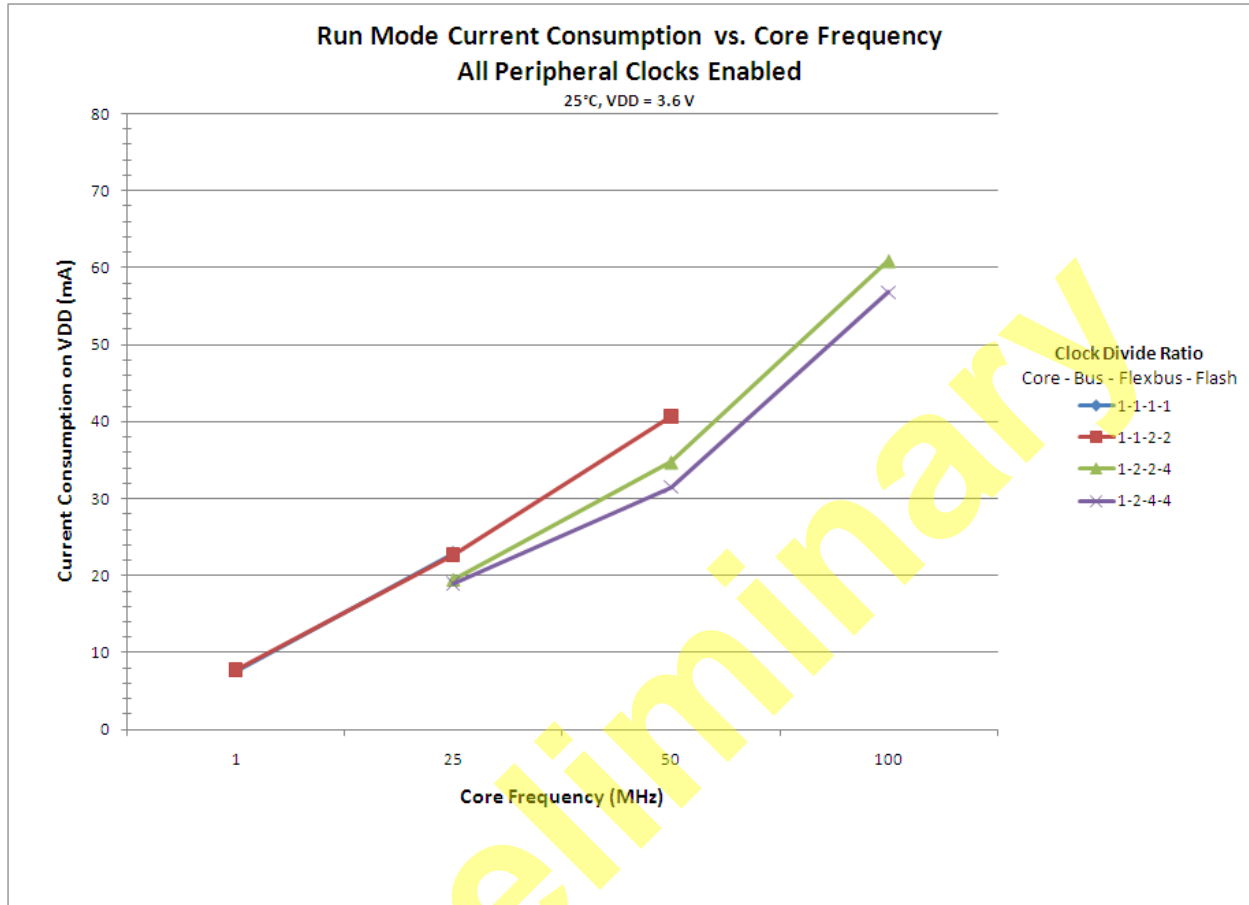


Figure 2. Run mode supply current vs. core frequency — all peripheral clocks enabled

5.1.6 EMC radiated emissions operating behaviors

Table 6. EMC radiated emissions operating behaviors

Symbol	Description	Frequency band (MHz)	Typ.	Unit	Notes
V _{RE1}	Radiated emissions voltage, band 1	0.15–50	TBD	dBμV	1, 2
V _{RE2}	Radiated emissions voltage, band 2	50–150	TBD		
V _{RE3}	Radiated emissions voltage, band 3	150–500	TBD		
V _{RE4}	Radiated emissions voltage, band 4	500–1000	TBD		
V _{RE_IEC_SAE}	IEC and SAE level	0.15–1000	TBD	—	2, 3

1. Determined according to IEC Standard 61967-1, *Integrated Circuits - Measurement of Electromagnetic Emissions, 150 kHz to 1 GHz Part 1: General Conditions and Definitions*, IEC Standard 61967-2, *Integrated Circuits - Measurement of Electromagnetic Emissions, 150 kHz to 1 GHz Part 2: Measurement of Radiated Emissions—TEM Cell and Wideband TEM Cell Method*, and SAE Standard J1752-3, *Measurement of Radiated Emissions from Integrated Circuits—TEM/ Wideband TEM (GTEM) Cell Method*.

2. $V_{DD} = 3\text{ V}$, $T_A = 25\text{ }^\circ\text{C}$, $f_{OSC} = 16\text{ MHz}$ (crystal), $f_{BUS} = 20\text{ MHz}$
3. Specified according to Annex D of IEC Standard 61967-2, *Measurement of Radiated Emissions—TEM Cell and Wideband TEM Cell Method*, and Appendix D of SAE Standard J1752-3, *Measurement of Radiated Emissions from Integrated Circuits—TEM/Wideband TEM (GTEM) Cell Method*.

5.1.7 Designing with radiated emissions in mind

1. To find application notes that provide guidance on designing your system to minimize interference from radiated emissions, go to www.freescale.com and perform a keyword search for “EMC design.”

5.1.8 Capacitance attributes

Table 7. Capacitance attributes

Symbol	Description	Min.	Max.	Unit
C_{IN_A}	Input capacitance: analog pins	—	7	pF
C_{IN_D}	Input capacitance: digital pins	—	7	pF

5.2 Switching electrical specifications

Table 8. Device clock specifications

Symbol	Description	Min.	Max.	Unit	Notes
Normal run mode					
f_{SYS}	System and core clock	—	100	MHz	
f_{BUS}	Bus clock	—	50	MHz	
FB_CLK	FlexBus clock	—	50	MHz	
f_{FLASH}	Flash clock	—	25	MHz	
VLPR mode					
f_{SYS}	System and core clock	—	2	MHz	
f_{BUS}	Bus clock	—	2	MHz	
FB_CLK	FlexBus clock	—	2	MHz	
f_{FLASH}	Flash clock	—	1	MHz	

5.3 Thermal specifications

5.3.1 Thermal operating requirements

Table 9. Thermal operating requirements

Symbol	Description	Min.	Max.	Unit
T_J	Die junction temperature	-40	125	°C
T_A	Ambient temperature	-40	105	°C

5.3.2 Thermal attributes

Board type	Symbol	Description	144 LQFP	144 MAPBGA	Unit	Notes
Single-layer (1s)	$R_{\theta JA}$	Thermal resistance, junction to ambient (natural convection)	52	50	°C/W	1
Four-layer (2s2p)	$R_{\theta JA}$	Thermal resistance, junction to ambient (natural convection)	44	30	°C/W	1
Single-layer (1s)	$R_{\theta JMA}$	Thermal resistance, junction to ambient (200 ft./min. air speed)	43	41	°C/W	1
Four-layer (2s2p)	$R_{\theta JMA}$	Thermal resistance, junction to ambient (200 ft./min. air speed)	38	27	°C/W	1
—	$R_{\theta JB}$	Thermal resistance, junction to board	33	17	°C/W	2
—	$R_{\theta JC}$	Thermal resistance, junction to case	11	10	°C/W	3
—	Ψ_{JT}	Thermal characterization parameter, junction to package top outside center (natural convection)	2	2	°C/W	4

6 Peripheral operating requirements and behaviors

6.1 Core modules

1. Determined according to JEDEC Standard JESD51-2, *Integrated Circuits Thermal Test Method Environmental Conditions—Natural Convection (Still Air)*, or EIA/JEDEC Standard JESD51-6, *Integrated Circuit Thermal Test Method Environmental Conditions—Forced Convection (Moving Air)*.
2. Determined according to JEDEC Standard JESD51-8, *Integrated Circuit Thermal Test Method Environmental Conditions—Junction-to-Board*.
3. Determined according to Method 1012.1 of MIL-STD 883, *Test Method Standard, Microcircuits*, with the cold plate temperature used for the case temperature. The value includes the thermal resistance of the interface material between the top of the package and the cold plate.
4. Determined according to JEDEC Standard JESD51-2, *Integrated Circuits Thermal Test Method Environmental Conditions—Natural Convection (Still Air)*.

6.1.1 Debug trace timing specifications

Table 10. Debug trace operating behaviors

Symbol	Description	Min.	Max.	Unit
T_{cyc}	Clock period	Frequency dependent		MHz
T_{wl}	Low pulse width	2	—	ns
T_{wh}	High pulse width	2	—	ns
T_r	Clock and data rise time	—	3	ns
T_f	Clock and data fall time	—	3	ns
T_s	Data setup	3	—	ns
T_h	Data hold	2	—	ns

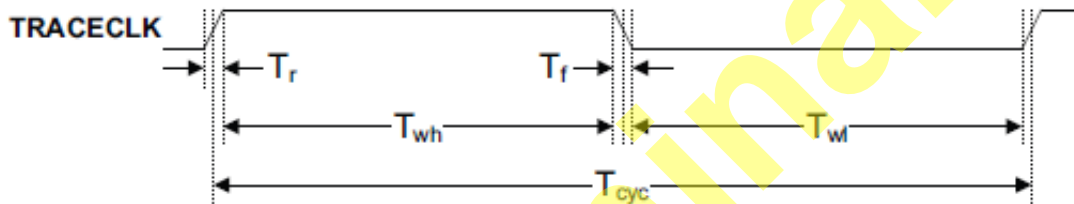


Figure 3. TRACE_CLKOUT specifications

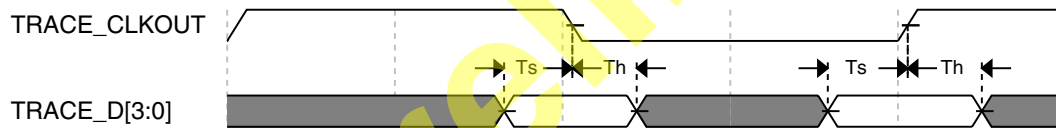


Figure 4. Trace data specifications

6.1.2 JTAG electricals

Table 11. JTAG electricals

Symbol	Description	Min.	Max.	Unit
	Operating voltage	2.7	3.6	V
J1	TCLK frequency of operation <ul style="list-style-type: none"> JTAG and CJTAG Serial Wire Debug 	0	25	MHz
J2	TCLK cycle period	1/J1	—	ns

Table continues on the next page...

Table 11. JTAG electricals (continued)

Symbol	Description	Min.	Max.	Unit
J3	TCLK clock pulse width <ul style="list-style-type: none"> JTAG and CJTAG Serial Wire Debug 	20	—	ns
J4	TCLK rise and fall times	—	3	ns
J5	Boundary scan input data setup time to TCLK rise	20	—	ns
J6	Boundary scan input data hold time after TCLK rise	0	—	ns
J7	TCLK low to boundary scan output data valid	—	30	ns
J8	TCLK low to boundary scan output high-Z	—	30	ns
J9	TMS, TDI input data setup time to TCLK rise	16	—	ns
J10	TMS, TDI input data hold time after TCLK rise	1	—	ns
J11	TCLK low to TDO data valid	—	4	ns
J12	TCLK low to TDO high-Z	—	4	ns
J13	$\overline{\text{TRST}}$ assert time	100	—	ns
J14	$\overline{\text{TRST}}$ setup time (negation) to TCLK high	8	—	ns

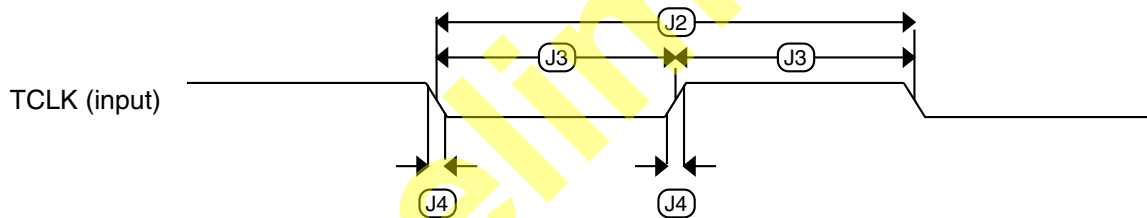


Figure 5. Test clock input timing

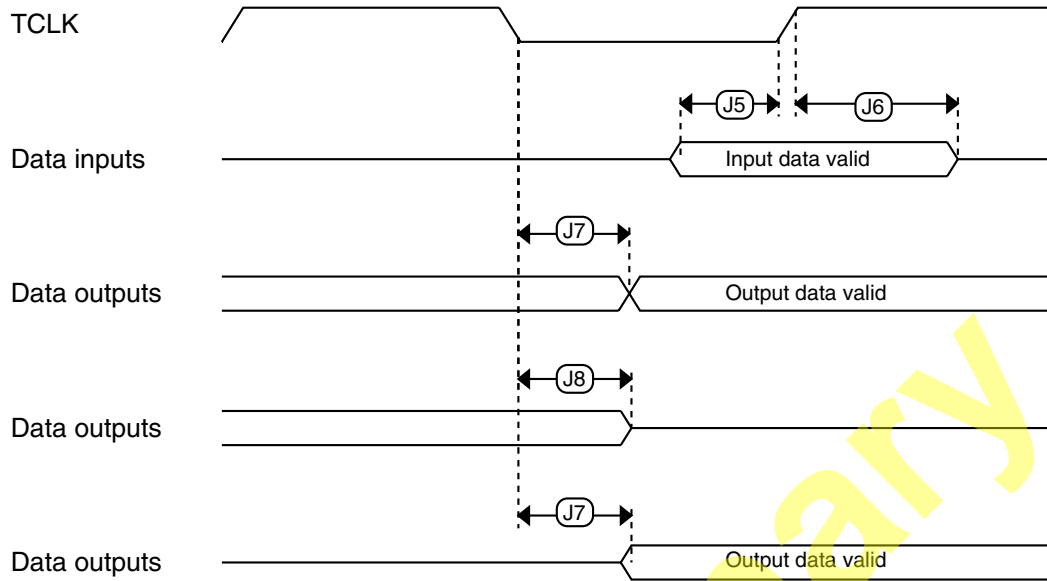


Figure 6. Boundary scan (JTAG) timing

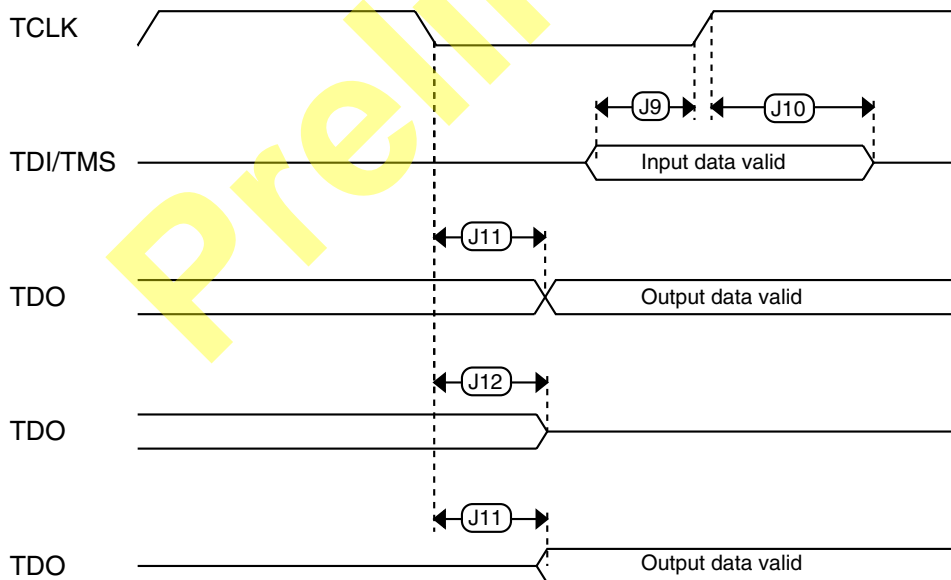


Figure 7. Test Access Port timing

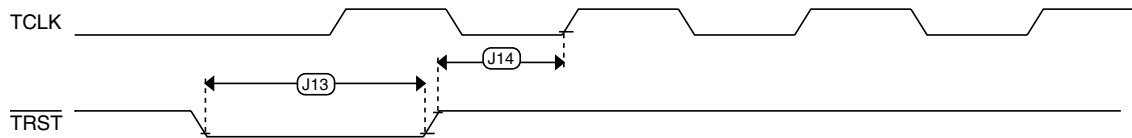


Figure 8. TRST timing

6.2 System modules

There are no specifications necessary for the device's system modules.

6.3 Clock modules

6.3.1 MCG Specifications

Table 12. MCG specifications

Symbol	Description	Min.	Typ.	Max.	Unit	Notes
$f_{\text{ints_ft}}$	Internal reference frequency (slow clock) — factory trimmed at nominal VDD and 25°C	—	32.768	—	kHz	
$f_{\text{ints_t}}$	Internal reference frequency (slow clock) — user trimmed	31.25	—	39.0625	kHz	
t_{refsts}	Internal reference (slow clock) startup time	—	TBD	4	μs	
$\Delta f_{\text{dco_res_t}}$	Resolution of trimmed DCO output frequency at fixed voltage and temperature — using SCTRIM and SCFTRIM	—	± 0.1	± 0.3	% f_{dco}	
$\Delta f_{\text{dco_res_t}}$	Resolution of trimmed DCO output frequency at fixed voltage and temperature — using SCTRIM only	—	± 0.2	± 0.5	% f_{dco}	
$\Delta f_{\text{dco_t}}$	Total deviation of trimmed DCO output frequency over voltage and temperature	—	+ 0.5 - 1.0	± 3.5	% f_{dco}	
$\Delta f_{\text{dco_t}}$	Total deviation of trimmed DCO output frequency over fixed voltage and temperature range of 0–70°C	—	± 0.5	± TBD	% f_{dco}	
$f_{\text{intf_ft}}$	Internal reference frequency (fast clock) — factory trimmed at nominal VDD and 25°C	3.875	4	4.125	MHz	
$f_{\text{intf_t}}$	Internal reference frequency (fast clock) — user trimmed	3	—	5	MHz	

Table continues on the next page...

Table 12. MCG specifications (continued)

Symbol	Description	Min.	Typ.	Max.	Unit	Notes	
t_{refstf}	Internal reference startup time (fast clock)	—	TBD	TBD	μs		
$f_{\text{loc_low}}$	Loss of external clock minimum frequency — RANGE = 00	$(3/5) \times f_{\text{ints_t}}$	—	—	kHz		
$f_{\text{loc_high}}$	Loss of external clock minimum frequency — RANGE = 01, 10, or 11	$(16/5) \times f_{\text{ints_t}}$	—	—	kHz		
FLL							
$f_{\text{dco_t}}$	DCO output frequency range — user trimmed and DMX32=0	Low range (DRS=00) $640 \times f_{\text{ints_t}}$	20	20.97	25	MHz	1, 2
		Mid range (DRS=01) $1280 \times f_{\text{ints_t}}$	40	41.94	50	MHz	
		Mid-high range (DRS=10) $1920 \times f_{\text{ints_t}}$	60	62.91	75	MHz	
		High range (DRS=11) $2560 \times f_{\text{ints_t}}$	80	83.89	100	MHz	
$f_{\text{dco_t_DMX32=1}}$	DCO output frequency range — reference = 32,768Hz and DMX32=1	Low range (DRS=00) $732 \times f_{\text{ints_t}}$	—	23.99	—	MHz	3
		Mid range (DRS=01) $1464 \times f_{\text{ints_t}}$	—	47.97	—	MHz	
		Mid-high range (DRS=10) $2197 \times f_{\text{ints_t}}$	—	71.99	—	MHz	
		High range (DRS=11) $2929 \times f_{\text{ints_t}}$	—	95.98	—	MHz	
$J_{\text{cyc_fll}}$	FLL period jitter	—	TBD	TBD	ps	4	
$J_{\text{acc_fll}}$	FLL accumulated jitter of DCO output over a 1 μs time window	—	TBD	TBD	ps		
$t_{\text{fll_acquire}}$	FLL target frequency acquisition time	—	—	1	ms	5	
PLL							
f_{vco}	VCO operating frequency	48.0	—	100	MHz		
$f_{\text{pll_ref}}$	PLL reference frequency range	2.0	—	4.0	MHz		
$J_{\text{cyc_pll}}$	PLL period jitter	—	400	—	ps	6, 7	
$J_{\text{acc_pll}}$	PLL accumulated jitter over 1 μs window	—	TBD	—	ps	6, 7	
D_{lock}	Lock entry frequency tolerance	± 1.49	—	± 2.98	%		
D_{unl}	Lock exit frequency tolerance	± 4.47	—	± 5.97	%		
$t_{\text{pll_lock}}$	Lock detector detection time	—	—	$0.15 + 1075(1/f_{\text{pll_ref}})$	ms	8	

1. The resulting system clock frequencies should not exceed their maximum specified values.

Peripheral operating requirements and behaviors

2. This specification includes the 2% precision of the internal reference frequency (slow clock).
3. The resulting clock frequency must not exceed the maximum specified clock frequency of the device.
4. This specification was obtained at TBD frequency.
5. This specification applies to any time the FLL reference source or reference divider is changed, trim value is changed, DMX32 bit is changed, DRS bits are changed, or changing from FLL disabled (BLPE, BLPI) to FLL enabled (FEI, FEE, FBE, FBI). If a crystal/resonator is being used as the reference, this specification assumes it is already running.
6. This specification was obtained using a Freescale developed PCB. PLL jitter is dependent on the noise characteristics of each PCB and results will vary.
7. This specification was obtained at internal frequency of TBD.
8. This specification applies to any time the PLL VCO divider or reference divider is changed, or changing from PLL disabled (BLPE, BLPI) to PLL enabled (PBE, PEE). If a crystal/resonator is being used as the reference, this specification assumes it is already running.

6.3.2 Oscillator Electrical Characteristics

This section provides the electrical characteristics of the module.

6.3.2.1 Oscillator DC Electrical Specifications

Table 13. Oscillator DC electrical specifications, ($V_{SSOSC} = 0 V_{DC}$) ($T_A = T_L$ to T_H)

Symbol	Description	Min.	Typ.	Max.	Unit	Notes
$V_{DD33OSC}$	3.3 V supply voltage	1.71	—	3.6	V	
I_{DDOSC}	Supply current — low-power mode <ul style="list-style-type: none"> • 32 kHz • 1 MHz • 4 MHz • 8 MHz • 16 MHz • 24 MHz • 32 MHz 	—	500	—	nA	1
		—	100	—	μ A	
		—	200	—	μ A	
		—	300	—	μ A	
		—	700	—	μ A	
		—	1.2	—	mA	
		—	1.5	—	mA	
I_{DDOSC}	Supply current — high gain mode <ul style="list-style-type: none"> • 32 kHz • 1 MHz • 4 MHz • 8 MHz • 16 MHz • 24 MHz • 32 MHz 	—	25	—	μ A	1
		—	200	—	μ A	
		—	400	—	μ A	
		—	800	—	μ A	
		—	1.5	—	mA	
		—	3	—	mA	
		—	4	—	mA	
C_x	EXTAL load capacitance	—	—	—		2, 3
C_y	XTAL load capacitance	—	—	—		2, 3

Table continues on the next page...

Table 13. Oscillator DC electrical specifications, ($V_{SSOSC} = 0 V_{DC}$) ($T_A = T_L$ to T_H) (continued)

Symbol	Description	Min.	Typ.	Max.	Unit	Notes
R_F	Feedback resistor — low-frequency, low-power mode	—	—	—	M Ω	2, 3
	Feedback resistor — low-frequency, high-gain mode	—	10	—	M Ω	
	Feedback resistor — high-frequency, low-power mode (1 – 8 MHz, 8 – 32 MHz)	—	—	—	M Ω	
	Feedback resistor — high-frequency, high-gain mode (1 – 8 MHz, 8 – 32 MHz)	—	1	—	M Ω	
R_S	Series resistor — low-frequency, low-power mode	—	—	—	k Ω	
	Series resistor — low-frequency, high-gain mode	—	200	—	k Ω	
	Series resistor — high-frequency, low-power mode	—	—	—	k Ω	
	Series resistor — high-frequency, high-gain mode					
	• 1 MHz resonator	—	6.6	—	k Ω	
	• 2 MHz resonator	—	3.3	—	k Ω	
	• 4 MHz resonator	—	0	—	k Ω	
	• 8 MHz resonator	—	0	—	k Ω	
• 16 MHz resonator	—	0	—	k Ω		
• 20 MHz resonator	—	0	—	k Ω		
• 32 MHz resonator	—	0	—	k Ω		
V_{pp}	Peak-to-peak amplitude of oscillation (oscillator mode) — low-frequency, low-power mode	—	0.6	—	V	
	Peak-to-peak amplitude of oscillation (oscillator mode) — low-frequency, high-gain mode	$0.75 \times V_{DD33OSC}$	$V_{DD33OSC}$	—	V	
	Peak-to-peak amplitude of oscillation (oscillator mode) — high-frequency, low-power mode	—	0.6	—	V	
	Peak-to-peak amplitude of oscillation (oscillator mode) — high-frequency, high-gain mode	$0.75 \times V_{DD33OSC}$	$V_{DD33OSC}$	—	V	

- $V_{DD33OSC} = 3.3$ V, Temperature = 27 °C, $C_x/C_y = 20$ pF
- See crystal or resonator manufacturer's recommendation
- R_F and C_x, C_y are integrated in low-frequency, low-power mode and must not be attached externally

6.3.2.2 Oscillator frequency specifications

Table 14. Oscillator frequency specifications, ($V_{DD33OSC} = V_{DD33OSC}(\min)$ to $V_{DD33OSC}(\max)$, $T_A = T_L$ to T_H)

Symbol	Description	Min.	Typ.	Max.	Unit	Notes
f_{osc_lo}	Oscillator crystal or resonator frequency — low frequency mode	32	—	40	kHz	
$f_{osc_hi_1}$	Oscillator crystal or resonator frequency — high frequency mode (low range)	1	—	8	MHz	
$f_{osc_hi_2}$	Oscillator crystal or resonator frequency — high frequency mode (high range)	8	—	32	MHz	
t_{dc_extal}	Input clock duty cycle (external clock mode)	40	50	60	%	
t_{cst}	Crystal start-up time — 32 kHz low-frequency, low-power mode	—	TBD	—	ms	1, 2, 3
	Crystal start-up time — 32 kHz low-frequency, high-gain mode	—	800	—	ms	
	Crystal start-up time — 8 MHz high-frequency, low-power mode	—	4	—	ms	
	Crystal start-up time — 8 MHz high-frequency, high-gain mode	—	3	—	ms	

1. This parameter is characterized before qualification rather than 100% tested.
2. Proper PC board layout procedures must be followed to achieve specifications.
3. Crystal start up time is defined as the time between the oscillator being enabled and the OSCINIT bit in the MCG_S register being set.

6.3.3 32kHz Oscillator Electrical Characteristics

This section describes the module electrical characteristics.

6.3.3.1 32kHz Oscillator DC Electrical Specifications

Table 15. 32kHz Oscillator Module DC Electrical Specifications ($V_{SSOSC} = 0 V_{DC}$) ($T_A = T_L$ to T_H)

Symbol	Description	Min.	Typ.	Max.	Unit
V_{BAT}	Supply voltage	1.71	—	3.6	V
R_F	Internal feedback resistor	—	100	—	M Ω
C_{para}	Parasitical capacitance of EXTAL32 and XTAL32	—	2.5	—	pF
C_{load}	Internal load capacitance (programmable)	—	15	—	pF
V_{pp}	Peak-to-peak amplitude of oscillation	—	0.6	—	V

6.3.3.2 32kHz Oscillator Frequency Specifications

Table 16. 32kHz oscillator frequency specifications ($V_{DD33OSC} = V_{DD33OSC}(\min)$ to $V_{DD33OSC}(\max)$, $T_A = T_L$ to T_H)

Symbol	Description	Min.	Typ.	Max.	Unit	Notes
f_{osc_lo}	Oscillator crystal	—	32	—	kHz	
t_{start}	Crystal start-up time	—	1000	—	ms	1, 2

1. This parameter is characterized before qualification rather than 100% tested.
2. Proper PC board layout procedures must be followed to achieve specifications.

6.4 Memories and memory interfaces

6.4.1 Flash (FTFL) Electrical Characteristics

This section describes the electrical characteristics of the FTFL module.

6.4.1.1 Flash Timing Parameters — Program and Erase

The following characteristics represent the amount of time the internal charge pumps are active and do not include command overhead.

Table 17. NVM program/erase timing characteristics

Symbol	Description	Min.	Typ.	Max.	Unit	Notes
t_{hvpgm4}	Longword Program high-voltage time	—	20	TBD	μ s	
$t_{hversscr}$	Sector Erase high-voltage time	—	20	100	ms	1
$t_{hversblk}$	Erase Block high-voltage time	—	160	800	ms	1

1. Maximum time based on expectations at cycling end-of-life.

6.4.1.2 Flash Timing Parameters — Commands

Table 18. Flash command timing characteristics

Symbol	Description	Min.	Typ.	Max.	Unit	Notes
t_{rd1blk}	Read 1s Block execution time	—	—	1.4	ms	
$t_{rd1sec2k}$	Read 1s Section execution time (2 KB flash sector)	—	—	40	μ s	
t_{pgmchk}	Program Check execution time	—	—	35	μ s	

Table continues on the next page...

Table 18. Flash command timing characteristics (continued)

Symbol	Description	Min.	Typ.	Max.	Unit	Notes
t_{rdsrc}	Read Resource execution time	—	—	35	μ s	1
t_{pgm4}	Program Longword execution time	—	50	TBD	μ s	
t_{ersblk}	Erase Flash Block execution time	—	160	800	ms	2
t_{ersscr}	Erase Flash Sector execution time	—	20	100	ms	2
$t_{pgmsec2k}$	Program Section execution time (2 KB flash sector)	—	TBD	TBD	ms	
t_{rd1all}	Read 1s All Blocks execution time	—	—	2.8	ms	
t_{rdonce}	Read Once execution time	—	—	35	μ s	1
$t_{pgmonce}$	Program Once execution time	—	50	TBD	μ s	
t_{ersall}	Erase All Blocks execution time	—	320	1600	ms	2
t_{vfykey}	Verify Backdoor Access Key execution time	—	—	35	μ s	1
$t_{pgmpart}$	Program Partition for EEPROM execution time	—	175	TBD	ms	
$t_{setram32k}$	Set FlexRAM Function execution time for 32 KB of EEPROM backup	—	TBD	TBD	ms	
$t_{setram256k}$	Set FlexRAM Function execution time for 256 KB of EEPROM backup	—	TBD	TBD	ms	
Byte-write to FlexRAM for EEPROM operation						
$t_{eewr8bers}$	Byte-write to erased FlexRAM location execution time	—	100	TBD	μ s	3
$t_{eewr8b32k}$	Byte-write to FlexRAM execution time (32 KB EEPROM backup)	—	TBD	TBD	ms	
$t_{eewr8b64k}$	Byte-write to FlexRAM execution time (64 KB EEPROM backup)	—	TBD	1.5	ms	
$t_{eewr8b128k}$	Byte-write to FlexRAM execution time (128 KB EEPROM backup)	—	TBD	TBD	ms	
$t_{eewr8b256k}$	Byte-write to FlexRAM execution time (256 KB EEPROM backup)	—	TBD	2.5	ms	
Word-write to FlexRAM for EEPROM operation						
$t_{eewr16bers}$	Word-write to erased FlexRAM location execution time	—	100	TBD	μ s	
$t_{eewr16b32k}$	Word-write to FlexRAM execution time (32 KB EEPROM backup)	—	TBD	TBD	ms	
$t_{eewr16b64k}$	Word-write to FlexRAM execution time (64 KB EEPROM backup)	—	TBD	1.5	ms	
$t_{eewr16b128k}$	Word-write to FlexRAM execution time (128 KB EEPROM backup)	—	TBD	TBD	ms	
$t_{eewr16b256k}$	Word-write to FlexRAM execution time (256 KB EEPROM backup)	—	TBD	2.5	ms	
Longword-write to FlexRAM for EEPROM operation						

Table continues on the next page...

Table 18. Flash command timing characteristics (continued)

Symbol	Description	Min.	Typ.	Max.	Unit	Notes
$t_{\text{eevr32bers}}$	Longword-write to erased FlexRAM location execution time	—	200	TBD	μs	
$t_{\text{eevr16b32k}}$	Longword-write to FlexRAM execution time (32 KB EEPROM backup)	—	TBD	TBD	ms	
$t_{\text{eevr16b64k}}$	Longword-write to FlexRAM execution time (64 KB EEPROM backup)	—	TBD	2.7	ms	
$t_{\text{eevr32b128k}}$	Longword-write to FlexRAM execution time (128 KB EEPROM backup)	—	TBD	TBD	ms	
$t_{\text{eevr32b256k}}$	Longword-write to FlexRAM execution time (256 KB EEPROM backup)	—	TBD	3.7	ms	

1. Assumes 25MHz flash clock frequency.
2. Maximum times for erase parameters based on expectations at cycling end-of-life.
3. For byte-writes to an erased FlexRAM location, the aligned word containing the byte must be erased.

6.4.1.3 Flash (FTFL) Current and Power Parameters

Table 19. Flash (FTFL) current and power parameters

Symbol	Description	Typ.	Unit
$I_{\text{DD_PGM}}$	Worst case programming current in program flash	10	mA

6.4.1.4 Reliability Characteristics

Table 20. NVM reliability characteristics

Symbol	Description	Min.	Typ. ¹	Max.	Unit	Notes
Program Flash						
$t_{\text{nv mretp10k}}$	Data retention after up to 10 K cycles	5	TBD	—	years	2
$t_{\text{nv mretp1k}}$	Data retention after up to 1 K cycles	10	TBD	—	years	2
$t_{\text{nv mretp100}}$	Data retention after up to 100 cycles	15	TBD	—	years	2
$n_{\text{nv mcycp}}$	Cycling endurance	10 K	TBD	—	cycles	3
Data Flash						
$t_{\text{nv mretd10k}}$	Data retention after up to 10 K cycles	5	TBD	—	years	2
$t_{\text{nv mretd1k}}$	Data retention after up to 1 K cycles	10	TBD	—	years	2
$t_{\text{nv mretd100}}$	Data retention after up to 100 cycles	15	TBD	—	years	2
$n_{\text{nv mcycd}}$	Cycling endurance	10 K	TBD	—	cycles	3
FlexRAM as EEPROM						
$t_{\text{nv mretee100}}$	Data retention up to 100% of write endurance	5	TBD	—	years	2

Table continues on the next page...

Table 20. NVM reliability characteristics (continued)

Symbol	Description	Min.	Typ. ¹	Max.	Unit	Notes
$t_{\text{nmwreee10}}$	Data retention up to 10% of write endurance	10	TBD	—	years	2
t_{nmwreee1}	Data retention up to 1% of write endurance	15	TBD	—	years	2
$n_{\text{nmwreee16}}$	Write endurance with an EEPROM backup to FlexRAM ratio of 16	35 K	TBD	—	writes	4
$n_{\text{nmwreee128}}$	Write endurance with an EEPROM backup to FlexRAM ratio of 128	315 K	TBD	—	writes	4
$n_{\text{nmwreee512}}$	Write endurance with an EEPROM backup to FlexRAM ratio of 512	1.27 M	TBD	—	writes	4
$n_{\text{nmwreee4k}}$	Write endurance with an EEPROM backup to FlexRAM ratio of 4096	10 M	TBD	—	writes	4
$n_{\text{nmwreee32k}}$	Write endurance with an EEPROM backup to FlexRAM ratio of 32,768	80 M	TBD	—	writes	4

1. Typical data retention values are based on intrinsic capability of the technology measured at high temperature derated to 25°C. For additional information on how Freescale defines typical data retention, please refer to Engineering Bulletin EB618.
2. Data retention is based on $T_{\text{javg}} = 55^{\circ}\text{C}$ (temperature profile over the lifetime of the application).
3. Cycling endurance represents number of program/erase cycles at $-40^{\circ}\text{C} \leq T_j \leq 125^{\circ}\text{C}$
4. Write endurance represents the number of writes to FlexRAM at $-40^{\circ}\text{C} \leq T_j \leq 125^{\circ}\text{C}$ influenced by the cycling endurance of the FlexNVM (same value as data flash) and the allocated EEPROM backup per subsystem. Minimum value assumes all byte-writes to FlexRAM.

6.4.1.5 Write Endurance to FlexRAM for EEPROM

When the FlexNVM partition code is not set to full data flash, the EEPROM data set size can be set to any of several non-zero values.

The bytes not assigned to data flash via the FlexNVM partition code are used by the FTFL to obtain an effective endurance increase for the EEPROM data. The built-in EEPROM record management system raises the number of program/erase cycles that can be attained prior to device wear-out by cycling the EEPROM data through a larger EEPROM NVM storage space.

While different partitions of the FlexNVM are available, the intention is that a single choice for the FlexNVM partition code and EEPROM data set size are used throughout the entire lifetime of a given application. The EEPROM endurance equation and graph shown below assume that only one configuration is ever used.

$$\text{Writes}_{\text{subsystem}} = \frac{\text{EEPROM} - 2 \times \text{EEESPLIT} \times \text{EEESIZE}}{\text{EEESPLIT} \times \text{EEESIZE}} \times \text{Write}_{\text{efficiency}} \times n_{\text{nmwcyed}}$$

where

- $\text{Writes}_{\text{subsystem}}$ — minimum writes to FlexRAM for subsystem (each subsystem can have different endurance)

- EEPROM — allocated FlexNVM for each EEPROM subsystem based on DEPART; entered with Program Partition command
- EEESPLIT — FlexRAM split factor for subsystem; entered with the Program Partition command
- EEESIZE — total allocated FlexRAM based on DEPART; entered with Program Partition command
- Write_efficiency —
 - 0.25 for 8-bit writes to FlexRAM
 - 0.50 for 16-bit or 32-bit writes to FlexRAM
- n_{nvmcycd} — data flash cycling endurance

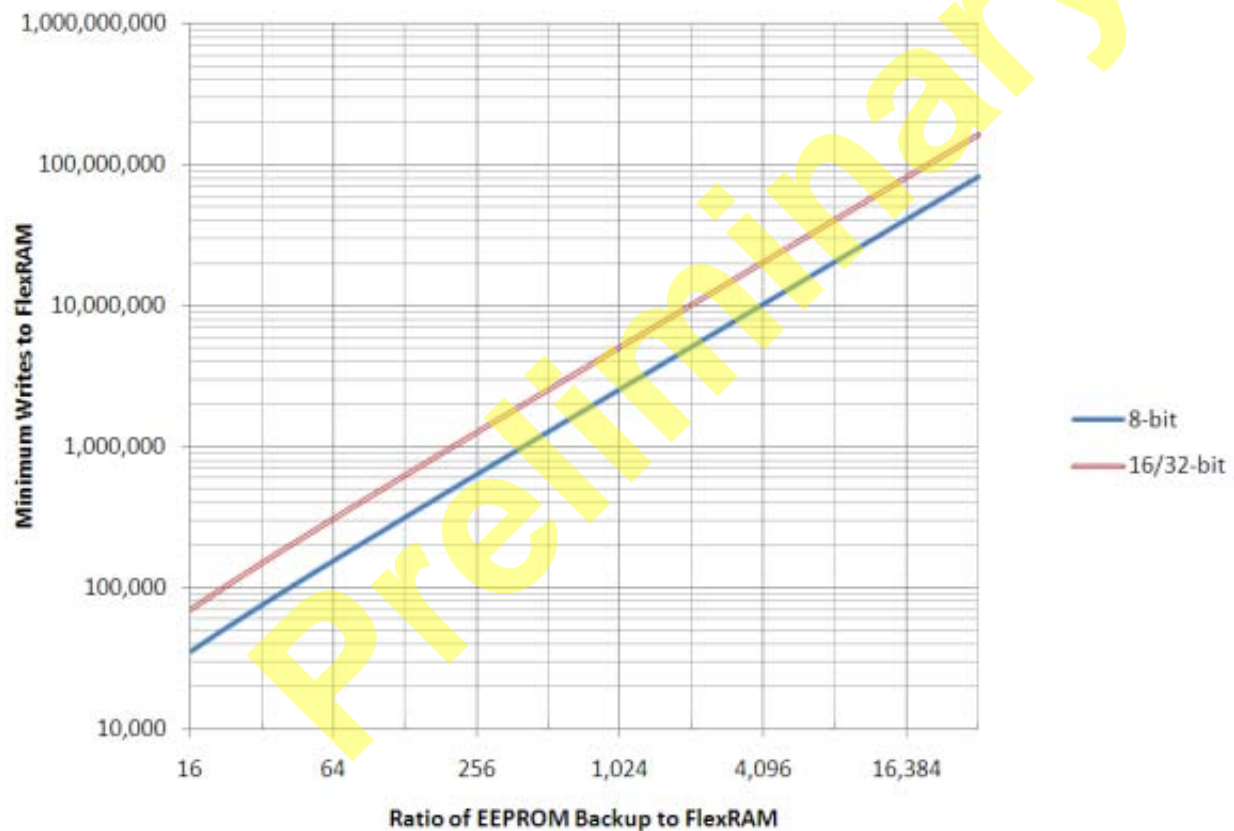


Figure 9. EEPROM backup writes to FlexRAM

6.4.2 EzPort Switching Specifications

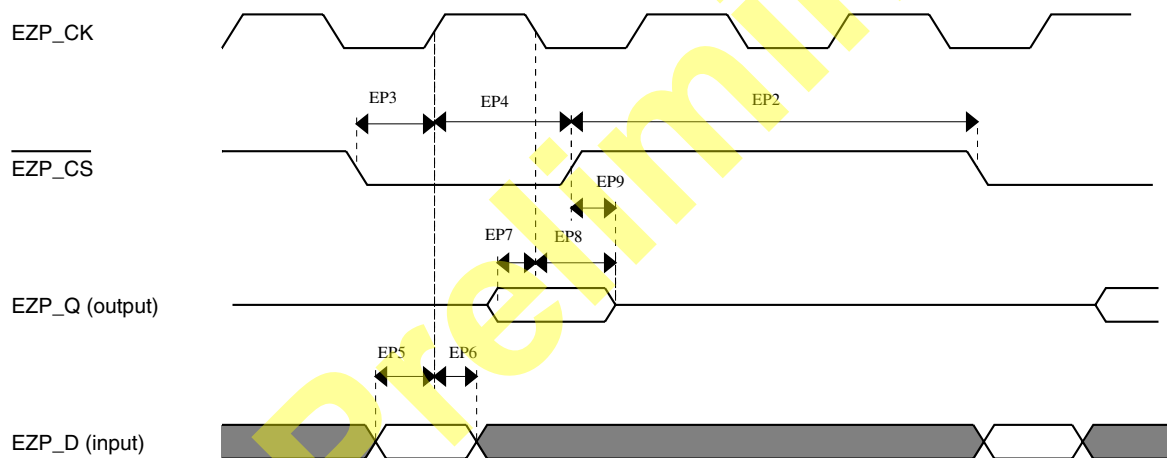
Table 21. EzPort switching specifications

Num	Description	Min.	Max.	Unit
	Operating voltage	2.7	3.6	V

Table continues on the next page...

Table 21. EzPort switching specifications (continued)

Num	Description	Min.	Max.	Unit
EP1	EZP_CK frequency of operation (all commands except READ)	—	$f_{SYS}/2$	MHz
EP1a	EZP_CK frequency of operation (READ command)	—	$f_{SYS}/8$	MHz
EP2	$\overline{EZP_CS}$ negation to next $\overline{EZP_CS}$ assertion	$2 \times t_{EZP_CK}$	—	ns
EP3	$\overline{EZP_CS}$ input valid to EZP_CK high (setup)	5	—	ns
EP4	EZP_CK high to $\overline{EZP_CS}$ input invalid (hold)	5	—	ns
EP5	EZP_D input valid to EZP_CK high (setup)	2	—	ns
EP6	EZP_CK high to EZP_D input invalid (hold)	5	—	ns
EP7	EZP_CK low to EZP_Q output valid (setup)	—	12	ns
EP8	EZP_CK low to EZP_Q output invalid (hold)	0	—	ns
EP9	$\overline{EZP_CS}$ negation to EZP_Q tri-state	—	12	ns

**Figure 10. EzPort Timing Diagram**

6.4.3 Flexbus Switching Specifications

All processor bus timings are synchronous; input setup/hold and output delay are given in respect to the rising edge of a reference clock, FB_CLK. The FB_CLK frequency may be the same as the internal system bus frequency or an integer divider of that frequency.

The following timing numbers indicate when data is latched or driven onto the external bus, relative to the Flexbus output clock (FB_CLK). All other timing relationships can be derived from these values.

Table 22. Flexbus switching specifications

Num	Description	Min.	Max.	Unit	Notes
	Operating voltage	2.7	3.6	V	
	Frequency of operation	—	50	Mhz	
FB1	Clock period	20	—	ns	
FB2	Address, data, and control output valid	TBD	11.5	ns	1
FB3	Address, data, and control output hold	0	—	ns	1
FB4	Data and $\overline{\text{FB_TA}}$ input setup	8.5	—	ns	2
FB5	Data and $\overline{\text{FB_TA}}$ input hold	0.5	—	ns	2

1. Specification is valid for all FB_AD[31:0], $\overline{\text{FB_BE/BWE}n}$, $\overline{\text{FB_CS}n}$, $\overline{\text{FB_OE}}$, $\overline{\text{FB_R/W}}$, $\overline{\text{FB_TBST}}$, $\overline{\text{FB_TSIZ}}[1:0]$, and $\overline{\text{FB_TS}}$.
2. Specification is valid for all FB_AD[31:0] and $\overline{\text{FB_TA}}$.

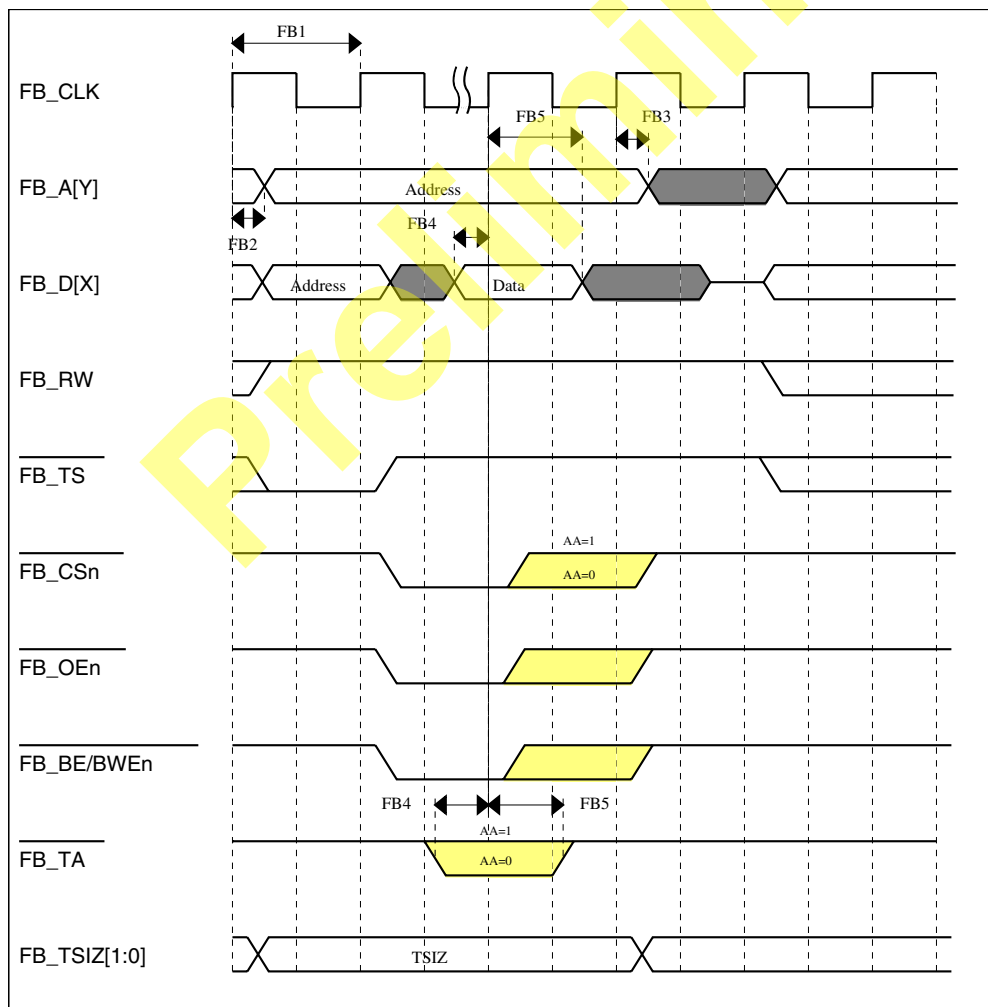


Figure 11. FlexBus read timing diagram

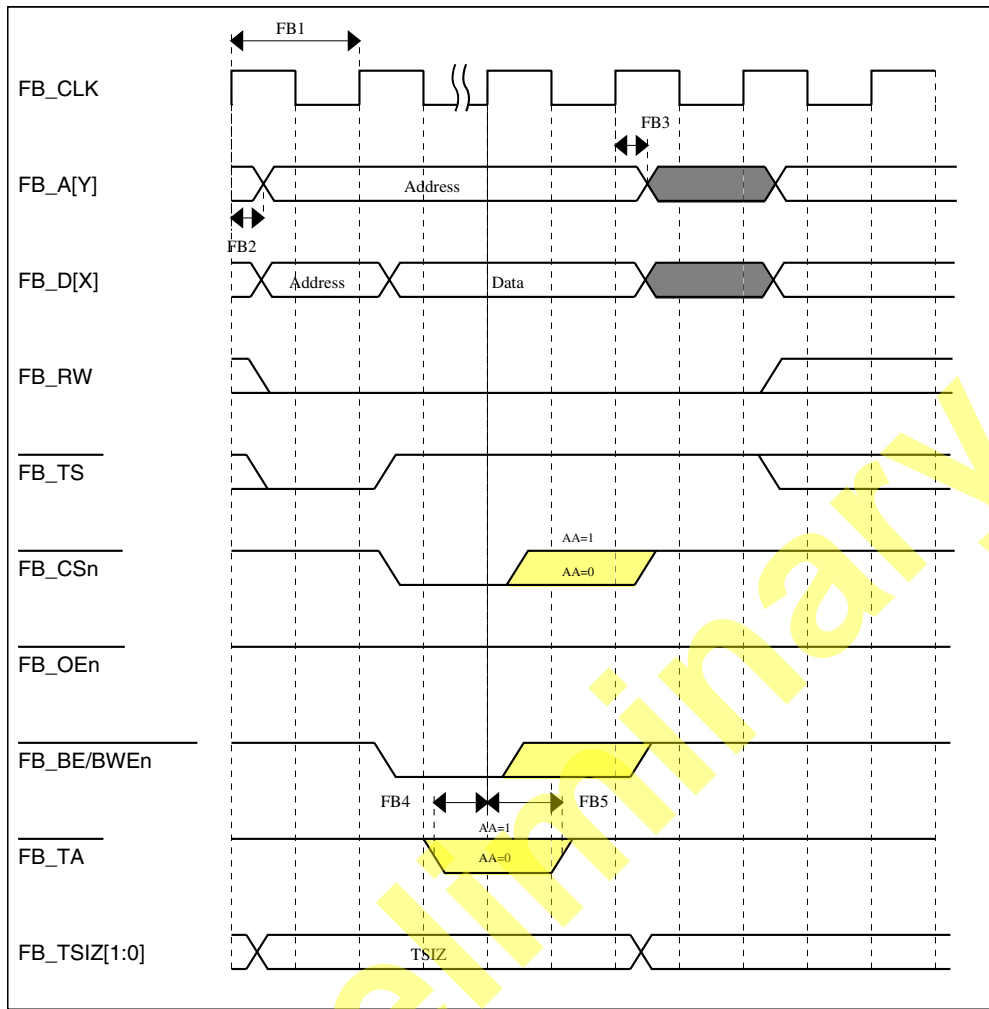


Figure 12. FlexBus write timing diagram

6.5 Security and integrity modules

There are no specifications necessary for the device's security and integrity modules.

6.6 Analog

6.6.1 ADC electrical specifications

The 16-bit accuracy specifications listed in [Table 23](#) and [Table 24](#) are achievable on the differential pins (ADCx_DP0, ADCx_DM0, ADC, ADCx_DP1, ADCx_DM1, ADCx_DP3, and ADCx_DM3). The ADCx_DP2 and ADCx_DM2 ADC inputs are used

as the PGA inputs and are not direct device pins. Accuracy specifications for these pins are defined in [Table 25](#) and [Table 26](#). All other ADC channels meet the 13-bit differential/12-bit single-ended accuracy specifications.

6.6.1.1 16-bit ADC operating conditions

Table 23. 16-bit ADC operating conditions

Symbol	Description	Conditions	Min.	Typ. ¹	Max.	Unit	Notes
V_{DDA}	Supply voltage	Absolute	1.71	—	3.6	V	
ΔV_{DDA}	Supply voltage	Delta to V_{DD} ($V_{DD} - V_{DDA}$)	-100	0	+100	mV	2
ΔV_{SSA}	Ground voltage	Delta to V_{SS} ($V_{SS} - V_{SSA}$)	-100	0	+100	mV	2
V_{REFH}	ADC reference voltage high		1.13	V_{DDA}	V_{DDA}	V	
V_{REFL}	Reference voltage low		V_{SSA}	V_{SSA}	V_{SSA}	V	
V_{ADIN}	Input voltage		V_{REFL}	—	V_{REFH}	V	
C_{ADIN}	Input capacitance	<ul style="list-style-type: none"> • 16 bit modes • 8/10/12 bit modes 	—	8 4	10 5	pF	
R_{ADIN}	Input resistance		—	2	5	k Ω	

Table continues on the next page...

Table 23. 16-bit ADC operating conditions (continued)

Symbol	Description	Conditions	Min.	Typ. ¹	Max.	Unit	Notes
R_{AS}	Analog source resistance	16 bit modes <ul style="list-style-type: none"> $f_{ADCK} > 8\text{MHz}$ $f_{ADCK} = 4\text{--}8\text{MHz}$ $f_{ADCK} < 4\text{MHz}$ 13/12 bit modes <ul style="list-style-type: none"> $f_{ADCK} > 16\text{MHz}$ $f_{ADCK} > 8\text{MHz}$ $f_{ADCK} = 4\text{--}8\text{MHz}$ $f_{ADCK} < 4\text{MHz}$ 11/10 bit modes <ul style="list-style-type: none"> $f_{ADCK} > 8\text{MHz}$ $f_{ADCK} = 4\text{--}8\text{MHz}$ $f_{ADCK} < 4\text{MHz}$ 9/8 bit modes <ul style="list-style-type: none"> $f_{ADCK} > 8\text{MHz}$ $f_{ADCK} < 8\text{MHz}$ 	—	—	0.5	k Ω	External to MCU Assumes ADLSMP=0
			—	—	1	k Ω	
			—	—	2	k Ω	
			—	—	0.5	k Ω	
			—	—	1	k Ω	
			—	—	2	k Ω	
			—	—	5	k Ω	
			—	—	2	k Ω	
			—	—	5	k Ω	
			—	—	10	k Ω	
f_{ADCK}	ADC conversion clock frequency	ADLPC=0, ADHSC=1 <ul style="list-style-type: none"> 16 bit modes ≤ 13 bit modes ADLPC=0, ADHSC=0 <ul style="list-style-type: none"> 16 bit modes ≤ 13 bit modes ADLPC=1, ADHSC=1 <ul style="list-style-type: none"> 16 bit modes ≤ 13 bit modes ADLPC=1, ADHSC=0 <ul style="list-style-type: none"> 16 bit modes ≤ 13 bit modes 	1.0	—	TBD	MHz	
			1.0	—	TBD	MHz	
			1.0	—	8.0	MHz	
			1.0	—	12.0	MHz	
			1.0	—	5.0	MHz	
			1.0	—	8.0	MHz	
			1.0	—	2.5	MHz	
			1.0	—	5.0	MHz	

1. Typical values assume $V_{DDA} = 3.0\text{ V}$, $\text{Temp} = 25^\circ\text{C}$, $f_{ADCK} = 1.0\text{ MHz}$ unless otherwise stated. Typical values are for reference only and are not tested in production.

2. DC potential difference.

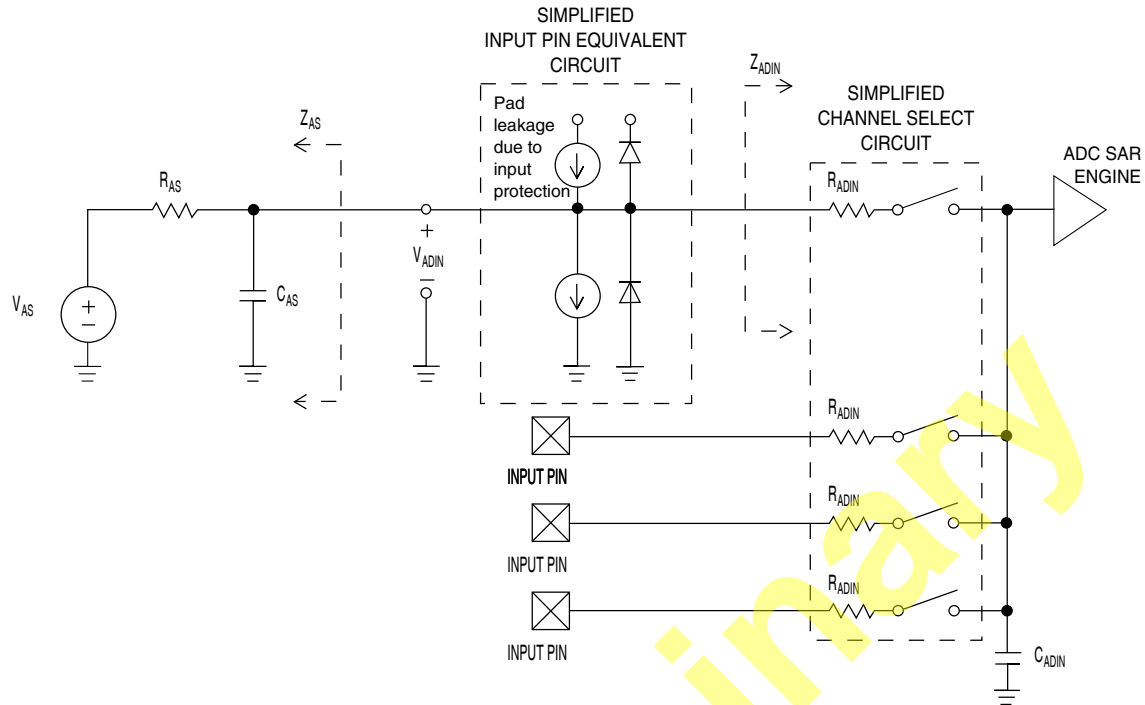


Figure 13. ADC input impedance equivalency diagram

6.6.1.2 16-bit ADC electrical characteristics

Table 24. 16-bit ADC characteristics ($V_{REFH} = V_{DDA}$, $V_{REFL} = V_{SSA}$)

Symbol	Description	Conditions ¹	Min.	Typ. ²	Max.	Unit	Notes
I_{DDA}	Supply current	<ul style="list-style-type: none"> • ADLPC=1, ADHSC=0 • ADLPC=1, ADHSC=1 • ADLPC=0, ADHSC=0 • ADLPC=0, ADHSC=1 	—	215	—	μA	ADLSMP=0 ADCO=1
	Supply current	• Stop, reset, module off	—	0.01	0.8	μA	
f_{ADACK}	ADC asynchronous clock source	• ADLPC=1, ADHSC=0	TBD	2.4	TBD	MHz	$t_{ADACK} = 1/f_{ADACK}$
		• ADLPC=1, ADHSC=1	TBD	4.0	TBD	MHz	
		• ADLPC=0, ADHSC=0	TBD	5.2	TBD	MHz	
		• ADLPC=0, ADHSC=1	TBD	6.2	TBD	MHz	
	Sample Time	See Reference Manual chapter for sample times					
	Conversion Time	See Reference Manual chapter for conversion times					

Table continues on the next page...

Table 24. 16-bit ADC characteristics ($V_{REFH} = V_{DDA}$, $V_{REFL} = V_{SSA}$) (continued)

Symbol	Description	Conditions ¹	Min.	Typ. ²	Max.	Unit	Notes
TUE	Total unadjusted error	<ul style="list-style-type: none"> 16 bit differential 16 bit single-ended 13 bit differential 12 bit single-ended 11 bit differential 10 bit single-ended 9 bit differential 8 bit single-ended 	—	±14.0	±TBD	LSB ³	Max hardware averaging (AVGE = %1, AVGS = %11)
DNL	Differential non-linearity	<ul style="list-style-type: none"> 16 bit differential 16 bit single-ended 13 bit differential 12 bit single-ended 11 bit differential 10 bit single-ended 9 bit differential 8 bit single-ended 	—	±2.5	±TBD	LSB ³	Max hardware averaging (AVGE = %1, AVGS = %11)
INL	Integral non-linearity	<ul style="list-style-type: none"> 16 bit differential 16 bit single-ended 13 bit differential 12 bit single-ended 11 bit differential 10 bit single-ended 9 bit differential 8 bit single-ended 	—	-6 to +2.5	—	LSB ³	Max averaging
Ezs	Zero-scale error	<ul style="list-style-type: none"> 16 bit differential 16 bit single-ended 13 bit differential 12 bit single-ended 11 bit differential 10 bit single-ended 9 bit differential 8 bit single-ended 	—	±4.0	—	LSB ³	$V_{ADIN} = V_{SSA}$

Table continues on the next page...

Table 24. 16-bit ADC characteristics ($V_{REFH} = V_{DDA}$, $V_{REFL} = V_{SSA}$) (continued)

Symbol	Description	Conditions ¹	Min.	Typ. ²	Max.	Unit	Notes
E_{FS}	Full-scale error	<ul style="list-style-type: none"> 16 bit differential 16 bit single-ended 13 bit differential 12 bit single-ended 11 bit differential 10 bit single-ended 9 bit differential 8 bit single-ended 	—	0 to +10	—	LSB ³	$V_{ADIN} = V_{DDA}$
E_Q	Quantization error	<ul style="list-style-type: none"> 16 bit modes ≤13 bit modes 	—	-1 to 0	—	LSB ³	
ENOB	Effective number of bits	16 bit differential mode <ul style="list-style-type: none"> Avg=32 Avg=16 Avg=8 Avg=4 Avg=1 16 bit single-ended mode <ul style="list-style-type: none"> Avg=32 Avg=16 Avg=8 Avg=4 Avg=1 	TBD	13.6	TBD	bits	4
SINAD	Signal-to-noise plus distortion	See ENOB	6.02 × ENOB + 1.76			dB	
THD	Total harmonic distortion	16 bit differential mode <ul style="list-style-type: none"> Avg=32 16 bit single-ended mode <ul style="list-style-type: none"> Avg=32 	—	-94	TBD	dB	4
SFDR	Spurious free dynamic range	16 bit differential mode <ul style="list-style-type: none"> Avg=32 16 bit single-ended mode <ul style="list-style-type: none"> Avg=32 	TBD	95	—	dB	4

Table continues on the next page...

Table 24. 16-bit ADC characteristics ($V_{REFH} = V_{DDA}$, $V_{REFL} = V_{SSA}$) (continued)

Symbol	Description	Conditions ¹	Min.	Typ. ²	Max.	Unit	Notes
E_{IL}	Input leakage error		$I_{in} \times R_{AS}$			mV	I_{in} = leakage current (refer to the MCU's voltage and current operating ratings)
	Temp sensor slope	<ul style="list-style-type: none"> • -40°C to 25°C • 25°C to 105°C 	—	TBD	—	mV/ $^{\circ}\text{C}$	
V_{TEMP25}	Temp sensor voltage	25°C	—	TBD	—	mV	

1. All accuracy numbers assume the ADC is calibrated with $V_{REFH} = V_{DDA}$
2. Typical values assume $V_{DDA} = 3.0\text{ V}$, Temp = 25°C , $f_{ADCK} = 2.0\text{ MHz}$ unless otherwise stated. Typical values are for reference only and are not tested in production.
3. $1\text{ LSB} = (V_{REFH} - V_{REFL})/2^N$
4. Input data is 1 kHz sine wave.

6.6.1.3 16-bit ADC with PGA operating conditions

Table 25. 16-bit ADC with PGA operating conditions

Symbol	Description	Conditions	Min.	Typ. ¹	Max.	Unit	Notes
V_{DDA}	Supply voltage	Absolute	1.71	—	3.6	V	
V_{REFPGA}	PGA ref voltage		V_{REFOUT}	V_{REFOUT}	V_{REFOUT}	V	2, 3
V_{ADIN}	Input voltage		V_{SSA}	—	V_{DDA}	V	
R_{PGA}	Input impedance	Gain = 1, 2, 4, 8 Gain = 16, 32 Gain = 64	TBD TBD TBD	64 32 16	TBD TBD TBD	k Ω	
R_{PGAD}	Differential input impedance	Gain = 1, 2, 4, 8 Gain = 16, 32 Gain = 64	TBD TBD TBD	128 64 32	TBD TBD TBD	k Ω	IN+ to IN-
R_{AS}	Analog source resistance	Gain = 16, 32	—	100	—	Ω	4
T_S	ADC sampling time	Gain = 64	1.25	—	—	μs	5

1. Typical values assume $V_{DDA} = 3.0\text{ V}$, Temp = 25°C , $f_{ADCK} = 6\text{ MHz}$ unless otherwise stated. Typical values are for reference only and are not tested in production.
2. ADC must be configured to use the internal voltage reference (V_{REFOUT})
3. PGA reference connected to the V_{REFOUT} pin. If the user wishes to drive V_{REFOUT} with a voltage other than the output of the V_{REF} module, the V_{REF} module must be disabled.

- The analog source resistance (R_{AS}), external to MCU, should be kept as minimum as possible. Increased R_{AS} causes drop in PGA gain without affecting other performances. This is not dependent on ADC clock frequency.
- The minimum sampling time is dependent on input signal frequency and ADC mode of operation. A minimum of $1.25\mu\text{s}$ time should be allowed for $F_{in}=4\text{ kHz}$ at 16-bit differential mode. Recommended ADC setting is: $ADLSMP=1$, $ADLSTS=2$ at 8 MHz ADC clock. The $ADLSTS$ bits can be adjusted for different ADC clock frequency

6.6.1.4 16-bit ADC with PGA characteristics

Table 26. 16-bit ADC with PGA characteristics

Symbol	Description	Conditions	Min.	Typ. ¹	Max.	Unit	Notes
I_{DDA_PGA}	Supply current		TBD	590	TBD	μA	
I_{LKG}	Leakage current	PGA disabled	—	< 1	TBD	μA	
G	Gain ²	<ul style="list-style-type: none"> PGAG=0 PGAG=1 PGAG=2 PGAG=3 PGAG=4 PGAG=5 PGAG=6 	TBD	1	TBD	dB	$R_{AS} < 100\Omega$
			TBD	2	TBD	dB	
			TBD	3.9	TBD	dB	
			TBD	TBD	TBD	dB	
			TBD	TBD	TBD	dB	
			TBD	29.9	TBD	dB	
			TBD	TBD	TBD	dB	
G_A	Gain error		—	—	± 0.5	dB	$R_{AS} < 100\Omega$
BW	Input signal bandwidth	<ul style="list-style-type: none"> 16-bit modes < 16-bit modes 	—	—	4	kHz	
			—	—	40	kHz	
PSRR	Power supply rejection ration	Gain=1	TBD	TBD	—	dB	$V_{DDA} = 3V \pm 100mV$, $f_{VDDA} = 50\text{Hz}, 60\text{Hz}$
CMRR	Common mode rejection ratio	<ul style="list-style-type: none"> Gain=1 Gain=64 	TBD	TBD	—	dB	$V_{CM} = 500mV_{pp}$, $f_{VCM} = 50\text{Hz}, 100\text{Hz}$
			TBD	TBD	—	dB	
V_{OFS}	Input offset voltage		—	0.2	TBD	mV	Gain=1, ADC Averaging=32
T_{GSW}	Gain switching settling time		—	TBD	10	μs	3
dG/dT	Gain drift over temperature	<ul style="list-style-type: none"> Gain=1 Gain=64 	—	TBD	TBD	ppm/ $^{\circ}\text{C}$	0 to 50°C
			—	TBD	TBD	ppm/ $^{\circ}\text{C}$	
d V_{OFS} /dT	Offset drift over temperature	Gain=1	—	TBD	TBD	ppm/ $^{\circ}\text{C}$	0 to 50°C , ADC Averaging=32
dG/d V_{DDA}	Gain drift over supply voltage	<ul style="list-style-type: none"> Gain=1 Gain=64 	—	TBD	TBD	%/V	V_{DDA} from 1.71 to 3.6V
			—	TBD	TBD	%/V	

Table continues on the next page...

Table 26. 16-bit ADC with PGA characteristics (continued)

Symbol	Description	Conditions	Min.	Typ. ¹	Max.	Unit	Notes
E_{IL}	Input leakage error	All modes	$I_{in} \times R_{AS}$			mV	I_{in} = leakage current (refer to the MCU's voltage and current operating ratings)
$V_{PP,DIFF}$	Maximum differential input signal swing		$[(V_{REFPGA} \times 2.33) - 0.2] / (2 \times \text{Gain})$			V	4
SNR	Signal-to-noise ratio	<ul style="list-style-type: none"> Gain=1 Gain=64 	TBD	8.3	—	dB	Average=32
			TBD	57.7	—	dB	
THD	Total harmonic distortion	<ul style="list-style-type: none"> Gain=1 Gain=64 	TBD	87.3	—	dB	Average=32, $f_{in}=100\text{Hz}$
			TBD	85.3	—	dB	
SFDR	Spurious free dynamic range	<ul style="list-style-type: none"> Gain=1 Gain=64 	TBD	92.42	—	dB	Average=32, $f_{in}=100\text{Hz}$
			TBD	92.54	—	dB	
ENOB	Effective number of bits	Gain=1, Average=4	TBD	12.3	—	bits	
		Gain=1, Average=8	TBD	12.7	—	bits	
		Gain=64, Average=4	TBD	8.4	—	bits	
		Gain=64, Average=8	TBD	8.7	—	bits	
		Gain=1, Average=32	TBD	13.4	—	bits	
		Gain=2, Average=32	TBD	13.1	—	bits	
		Gain=4, Average=32	TBD	12.6	—	bits	
		Gain=8, Average=32	TBD	11.8	—	bits	
		Gain=16, Average=32	TBD	11.1	—	bits	
		Gain=32, Average=32	TBD	10.2	—	bits	
Gain=64, Average=32	TBD	9.3	—	bits			
SINAD	Signal-to-noise plus distortion ratio	See ENOB	$6.02 \times \text{ENOB} + 1.76$			dB	

1. Typical values assume $V_{DDA} = 3.0\text{V}$, $\text{Temp} = 25^\circ\text{C}$, $f_{ADCK} = 6\text{MHz}$ unless otherwise stated.
2. $\text{Gain} = 2^{\text{PGAGx}}$
3. When the PGA gain is changed, it takes some time to settle the output for the ADC to work properly. During a gain switching, a few ADC outputs should be discarded (minimum two data samples, may be more depending on ADC sampling rate and time of the switching).
4. Limit the input signal swing so that the PGA does not saturate during operation. Input signal swing is dependent on the PGA reference voltage and gain setting.

6.6.2 CMP and 6-bit DAC electrical specifications

Table 27. Comparator and 6-bit DAC electrical specifications

Symbol	Description	Min.	Typ.	Max.	Unit
V _{DD}	Supply voltage	1.71	—	3.6	V
I _{DDHS}	Supply current, High-speed mode (EN=1, PMODE=1, VDDA >= V _{LVI_trip})	—	—	200	μA
I _{DDL}	Supply current, low-speed mode (EN=1, PMODE=0)	—	—	20	μA
I _{DDOFF}	Supply current, OFF Mode (EN=0,)	—	—	100	nA
V _{AIN}	Analog input voltage	V _{SS} – 0.3	—	V _{DD}	V
V _{AIO}	Analog input offset voltage	—	—	20	mV
V _H	Analog comparator hysteresis <ul style="list-style-type: none"> • HYSTCTR = 00 • HYSTCTR = 01 • HYSTCTR = 10 • HYSTCTR = 11 	—	5 10 20 30	—	mV mV mV mV
V _{CMPOH}	Output high	V _{DD} – 0.5	—	—	V
V _{CMPOI}	Output low	—	—	0.5	V
t _{DHS}	Propagation delay, high-speed mode (EN=1, PMODE=1)	20	50	120	ns
t _{DLS}	Propagation delay, low-speed mode (EN=1, PMODE=1)	120	250	420	ns
	Analog comparator initialization delay	—	—	TBD	ns
I _{DAC6b}	6-bit DAC current adder (enabled)	—	—	8	μA
INL	6-bit DAC integral non-Linearity	–0.5	—	0.5	LSB ¹
DNL	6-bit DAC differential non-linearity	–0.3	—	0.3	LSB

1. 1 LSB = V_{reference}/64

6.6.3 12-bit DAC electrical characteristics

6.6.3.1 12-bit DAC operating requirements

Table 28. 12-bit DAC operating requirements

Symbol	Description	Min.	Max.	Unit	Notes
V _{DDA}	Supply voltage	1.71	3.6	V	
V _{DACR}	Reference voltage	1.15	3.6	V	1
T _A	Temperature	–40	105	°C	

Table continues on the next page...

Table 28. 12-bit DAC operating requirements (continued)

Symbol	Description	Min.	Max.	Unit	Notes
C_L	Output load capacitance	—	100	pF	2
I_L	Output load current	—	1	mA	

1. The DAC reference can be selected to be VDDA or the voltage output of the VREF module (VREFO)
2. A small load capacitance (47 pF) can improve the bandwidth performance of the DAC

6.6.3.2 12-bit DAC operating behaviors

Table 29. 12-bit DAC operating behaviors

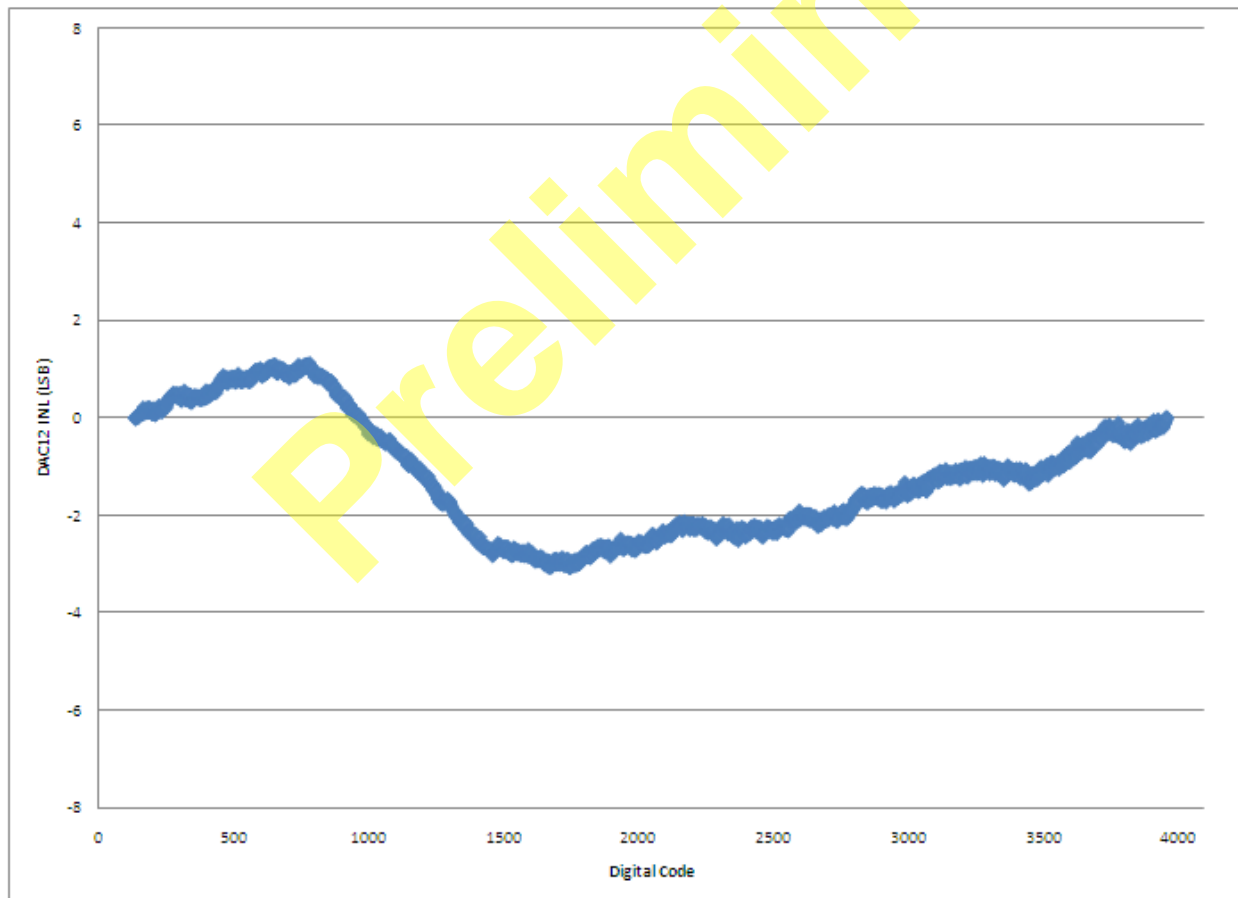
Symbol	Description	Min.	Typ.	Max.	Unit	Notes
n	Resolution	12	—	12	b	
I_{DDA_DACLP}	Supply current — low-power mode	—	—	150	μ A	
I_{DDA_DACHP}	Supply current — high-speed mode	—	—	700	μ A	
t_{DACLP}	Full-scale settling time (0x080 to 0xF7F) — low-power mode	—	100	200	μ s	1
t_{DACHP}	Full-scale settling time (0x080 to 0xF7F) — high-power mode	—	15	30	μ s	1
$t_{CCDACLP}$	Code-to-code settling time (0xBF8 to 0xC08) — low-power mode	—	—	5	μ s	1
$t_{CCDACHP}$	Code-to-code settling time (0xBF8 to 0xC08) — high-speed mode	1	TBD	—	μ s	1
$V_{dacoutl}$	DAC output voltage range low — high-speed mode, no load, DAC set to 0x000	0	100	—	mV	
$V_{dacouth}$	DAC output voltage range high — high-speed mode, no load, DAC set to 0xFFFF	V_{DACR} -100	—	V_{DACR}	mV	
INL	Integral non-linearity error — high speed mode	± 3	—	± 8	LSB	2
DNL	Differential non-linearity error — $V_{DACR} > 2$ V	± 0.5	—	± 1	LSB	3
DNL	Differential non-linearity error — $V_{DACR} = VREFO$ (1.15 V)	± 0.5	—	± 1	LSB	4
V_{OFFSET}	Offset error	± 0.4	—	± 0.8	%FSR	5
E_G	Gain error	± 0.1	—	± 0.6	%FSR	5
PSRR	Power supply rejection ratio, $V_{DDA} \geq 2.4$ V	60	—	90	dB	
T_{CO}	Temperature coefficient offset voltage	—	TBD	—	μ V/C	
T_{GE}	Temperature coefficient gain error	—	TBD	—	ppm of FSR/C	
A_C	Offset aging coefficient	—	—	TBD	μ V/yr	
R_{op}	Output resistance load = 3 k Ω	—	—	250	Ω	

Table continues on the next page...

Table 29. 12-bit DAC operating behaviors (continued)

Symbol	Description	Min.	Typ.	Max.	Unit	Notes
SR	Slew rate -80h→ F7Fh→ 80h <ul style="list-style-type: none"> High power (SP_{HP}) Low power (SP_{LP}) 	1.2 0.05	1.7 0.12	— —	V/μs	
CT	Channel to channel cross talk	—	—	-80	dB	
BW	3dB bandwidth <ul style="list-style-type: none"> High power (SP_{HP}) Low power (SP_{LP}) 	550 40	— —	— —	kHz	

- Settling within ± 1 LSB
- The INL is measured for 0+100mV to VD_{ACR}-100 mV
- The DNL is measured for 0+100 mV to V_{D_{ACR}}-100 mV
- The DNL is measured for 0+100mV to V_{D_{ACR}}-100 mV with V_{D_{DDA}} > 2.4V
- Calculated by a best fit curve from V_{SS}+100 mV to V_{REF}-100 mV

**Figure 14. Typical INL error vs. digital code**

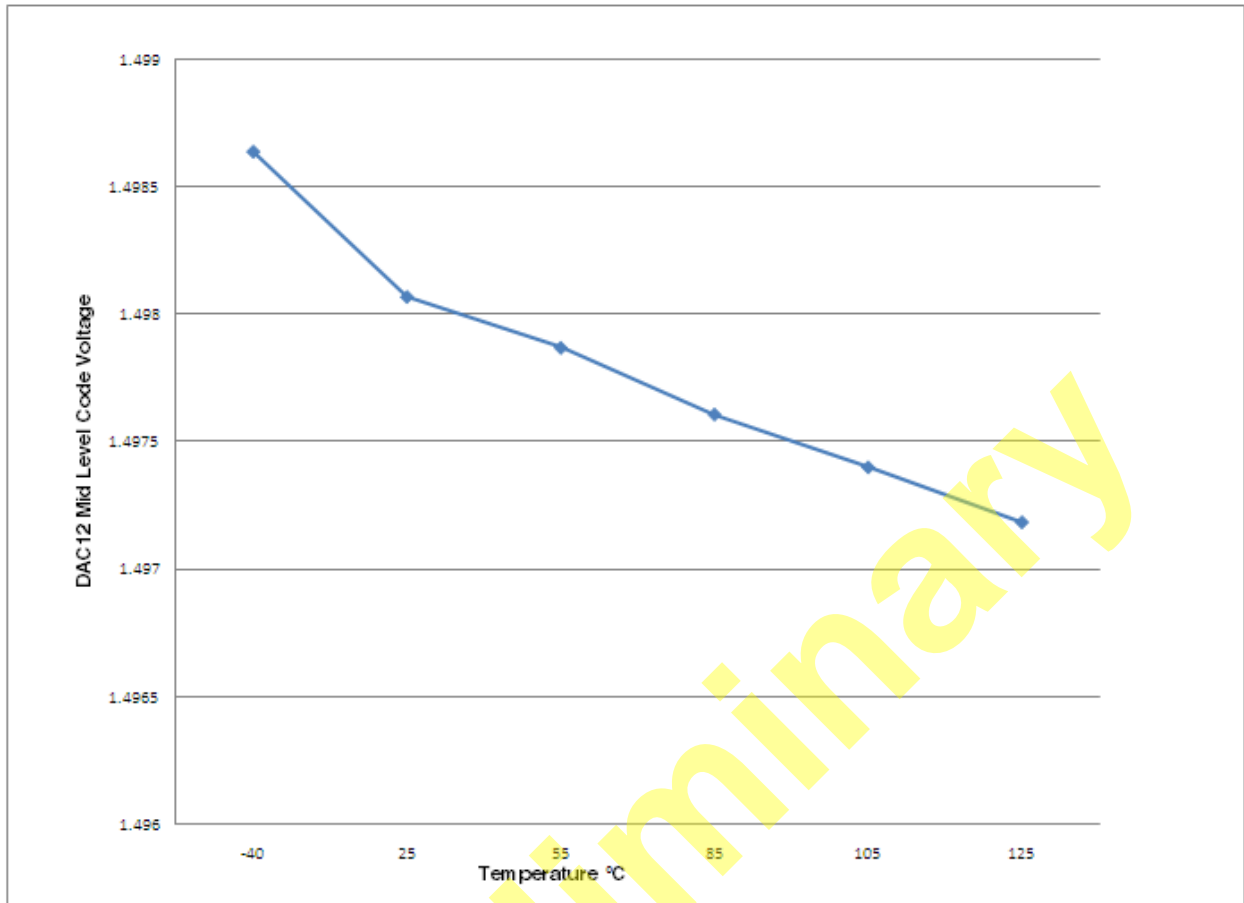


Figure 15. Offset at half scale vs. temperature

6.6.4 Voltage Reference Electrical Specifications

Table 30. VREF full-range operating requirements

Symbol	Description	Min.	Max.	Unit	Notes
V _{DDA}	Supply voltage	1.71	3.6	V	
T _A	Temperature	-40	105	°C	
C _L	Output load capacitance	—	100	nF	

Table 31. VREF full-range operating behaviors

Symbol	Description	Min.	Typ.	Max.	Unit	Notes
V _{out}	Voltage reference output with factory trim	TBD	1.2	TBD	V	
V _{out}	Voltage reference output without factory trim	1.15	—	1.24	V	
V _{drift}	Temperature drift (V _{max} -V _{min} across the full temperature range)	—	—	7	mV	See Figure 16

Table continues on the next page...

Table 31. VREF full-range operating behaviors (continued)

Symbol	Description	Min.	Typ.	Max.	Unit	Notes
T_c	Temperature coefficient	—	—	TBD	ppm/°C	
A_c	Aging coefficient	—	—	TBD	ppm/year	
I_{off}	Powered down current (off mode, VREFEN = 0, VRSTEN = 0)	—	—	0.10	μA	
I_{bg}	Bandgap only (MODE_LV = 00) current	—	TBD	75	μA	
I_{tr}	Tight-regulation buffer (MODE_LV = 10) current	—	—	1.1	mA	
	Load regulation (MODE_LV = 10) current	—	—	100	μV/mA	
T_{stap}	Buffer startup time	100	—	TBD	μs	
DC	Line regulation (power supply rejection)	—	—	TBD	mV	
		-60	—	TBD	dB	

Table 32. VREF limited-range operating requirements

Symbol	Description	Min.	Max.	Unit	Notes
T_A	Temperature	0	50	°C	

Table 33. VREF limited-range operating behaviors

Symbol	Description	Min.	Max.	Unit	Notes
V_{out}	Voltage reference output with factory trim	TBD	TBD	μA	

TBD

Figure 16. Typical output vs. temperature

TBD

Figure 17. Typical output vs. VDD

6.7 Timers

See [General Switching Specifications](#).

6.8 Communication interfaces

6.8.1 DSPI Switching Specifications for Low-speed Operation

The DMA Serial Peripheral Interface (DSPI) provides a synchronous serial bus with master and slave operations. Many of the transfer attributes are programmable. The tables below provides DSPI timing characteristics for classic SPI timing modes. Refer to the DSPI chapter of the Reference Manual for information on the modified transfer formats used for communicating with slower peripheral devices.

Table 34. Master Mode DSPI Timing (Low-speed mode)

Num	Description	Min.	Max.	Unit	Notes
	Operating voltage	1.71	3.6	V	1
	Frequency of operation	—	12.5	MHz	
DS1	DSPI_SCK output cycle time	$4 \times t_{\text{BCLK}}$	—	ns	
DS2	DSPI_SCK output high/low time	$(t_{\text{SCK}/2}) - 4$	$(t_{\text{SCK}/2}) + 4$	ns	
DS3	DSPI_PCS _n to DSPI_SCK output valid	$(t_{\text{SCK}/2}) - 4$	—	ns	
DS4	DSPI_SCK to DSPI_PCS _n output hold	$(t_{\text{SCK}/2}) - 4$	—	ns	
DS5	DSPI_SCK to DSPI_SOUT valid	—	10	ns	
DS6	DSPI_SCK to DSPI_SOUT invalid	-2	—	ns	
DS7	DSPI_SIN to DSPI_SCK input setup	15	—	ns	
DS8	DSPI_SCK to DSPI_SIN input hold	0	—	ns	

- The DSPI module can operate across the entire operating voltage for the processor, but to run across the full voltage range the maximum frequency of operation is reduced.

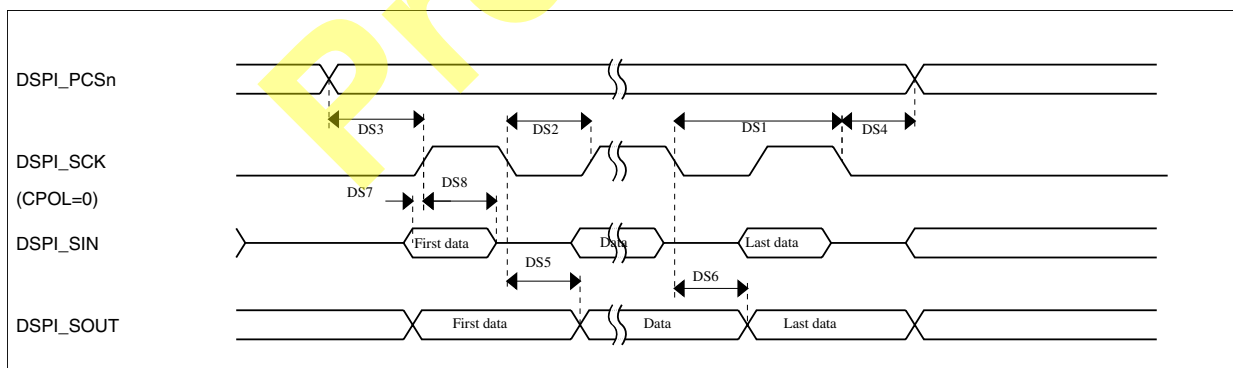


Figure 18. DSPI Classic SPI Timing — Master Mode

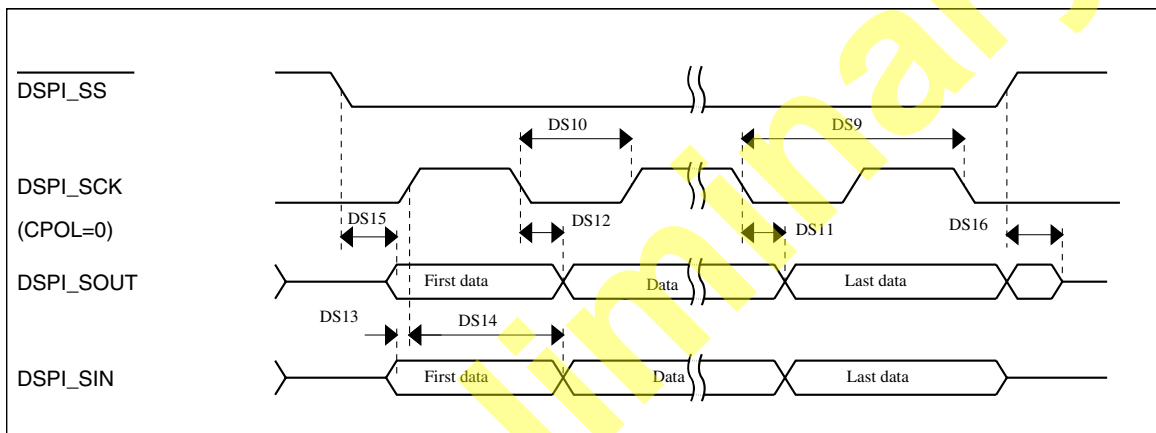
Table 35. Slave Mode DSPI Timing (Low-speed Mode)

Num	Description	Min.	Max.	Unit
	Operating voltage	1.71	3.6	V
	Frequency of operation	—	6.25	MHz

Table continues on the next page...

Table 35. Slave Mode DSPI Timing (Low-speed Mode) (continued)

Num	Description	Min.	Max.	Unit
DS9	DSPI_SCK input cycle time	$8 \times t_{BCLK}$	—	ns
DS10	DSPI_SCK input high/low time	$(t_{SCK}/2) - 4$	$(t_{SCK}/2) + 4$	ns
DS11	DSPI_SCK to DSPI_SOUT valid	—	20	ns
DS12	DSPI_SCK to DSPI_SOUT invalid	0	—	ns
DS13	DSPI_SIN to DSPI_SCK input setup	5	—	ns
DS14	DSPI_SCK to DSPI_SIN input hold	15	—	ns
DS15	$\overline{DSPI_SS}$ active to DSPI_SOUT driven	—	15	ns
DS16	$\overline{DSPI_SS}$ inactive to DSPI_SOUT not driven	—	15	ns

**Figure 19. DSPI Classic SPI Timing — Slave Mode**

6.8.2 DSPI Switching Specifications (High-speed mode)

The DMA Serial Peripheral Interface (DSPI) provides a synchronous serial bus with master and slave operations. Many of the transfer attributes are programmable. The tables below provide DSPI timing characteristics for classic SPI timing modes. Refer to the DSPI chapter of the Reference Manual for information on the modified transfer formats used for communicating with slower peripheral devices.

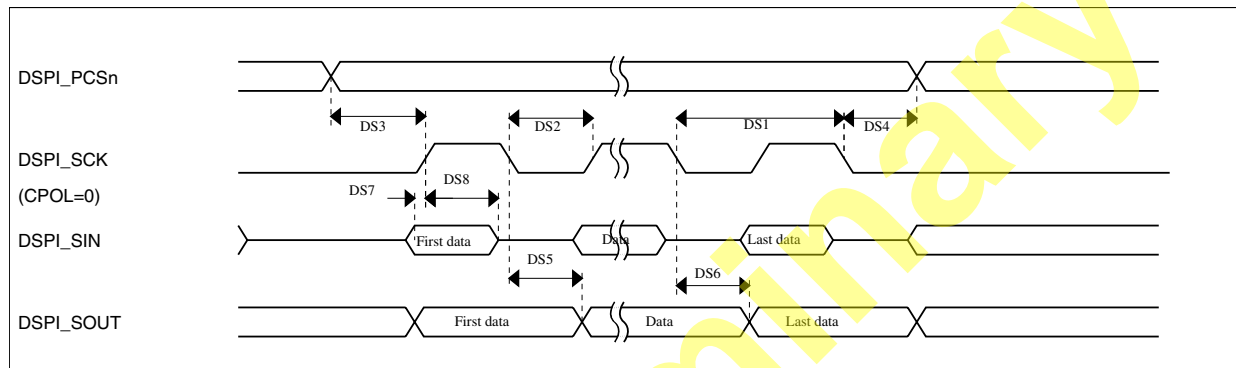
Table 36. Master Mode DSPI Timing (High-speed mode)

Num	Description	Min.	Max.	Unit
	Operating voltage	2.7	3.6	V
	Frequency of operation	—	25	MHz
DS1	DSPI_SCK output cycle time	$2 \times t_{BCLK}$	—	ns
DS2	DSPI_SCK output high/low time	$(t_{SCK}/2) - 2$	$(t_{SCK}/2) + 2$	ns

Table continues on the next page...

Table 36. Master Mode DSPI Timing (High-speed mode) (continued)

Num	Description	Min.	Max.	Unit
DS3	DSPI_PCSn to DSPI_SCK output valid	$(t_{SCK}/2) - 2$	—	ns
DS4	DSPI_SCK to DSPI_PCSn output hold	$(t_{SCK}/2) - 2$	—	ns
DS5	DSPI_SCK to DSPI_SOUT valid	—	8.5	ns
DS6	DSPI_SCK to DSPI_SOUT invalid	-2	—	ns
DS7	DSPI_SIN to DSPI_SCK input setup	TBD	—	ns
DS8	DSPI_SCK to DSPI_SIN input hold	0	—	ns

**Figure 20. DSPI Classic SPI Timing — Master Mode****Table 37. Slave Mode DSPI Timing (High-speed mode)**

Num	Description	Min.	Max.	Unit
	Operating voltage	2.7	3.6	V
	Frequency of operation		12.5	MHz
DS9	DSPI_SCK input cycle time	$4 \times t_{BCLK}$	—	ns
DS10	DSPI_SCK input high/low time	$(t_{SCK}/2) - 2$	$(t_{SCK}/2) + 2$	ns
DS11	DSPI_SCK to DSPI_SOUT valid	—	TBD	ns
DS12	DSPI_SCK to DSPI_SOUT invalid	0	—	ns
DS13	DSPI_SIN to DSPI_SCK input setup	2	—	ns
DS14	DSPI_SCK to DSPI_SIN input hold	7	—	ns
DS15	$\overline{DSPI_SS}$ active to DSPI_SOUT driven	—	14	ns
DS16	$\overline{DSPI_SS}$ inactive to DSPI_SOUT not driven	—	14	ns

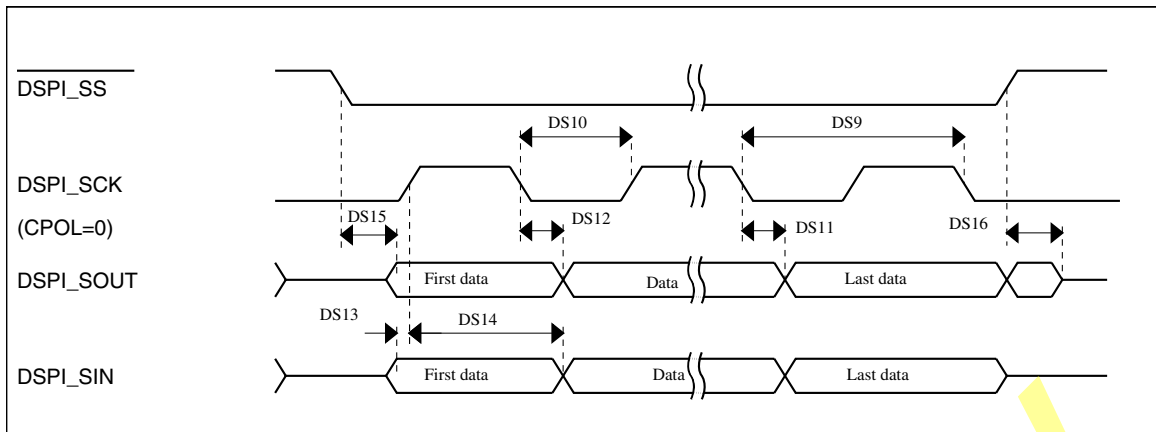


Figure 21. DSPI Classic SPI Timing — Slave Mode

6.8.3 SDHC Specifications

The following timing specs are defined at the chip I/O pin and must be translated appropriately to arrive at timing specs/constraints for the physical interface.

Table 38. SDHC switching specifications

Num	Symbol	Description	Min.	Max.	Unit
Card input clock					
SD1	fpp	Clock frequency (low speed)	0	400	kHz
	fpp	Clock frequency (SD\SDIO full speed)	0	25	MHz
	fpp	Clock frequency (MMC full speed)	0	20	MHz
	f _{OD}	Clock frequency (identification mode)	0	400	kHz
SD2	t _{WL}	Clock low time	7	—	ns
SD3	t _{WH}	Clock high time	7	—	ns
SD4	t _{TLH}	Clock rise time	—	3	ns
SD5	t _{THL}	Clock fall time	—	3	ns
SDHC output / card inputs SDHC_CMD, SDHC_DAT (reference to SDHC_CLK)					
SD6	t _{OD}	SDHC output delay (output valid)	-5	6.5	ns
SDHC input / card inputs SDHC_CMD, SDHC_DAT (reference to SDHC_CLK)					
SD7	t _{THL}	SDHC input setup time	5	—	ns
SD8	t _{THL}	SDHC input hold time	0	—	ns

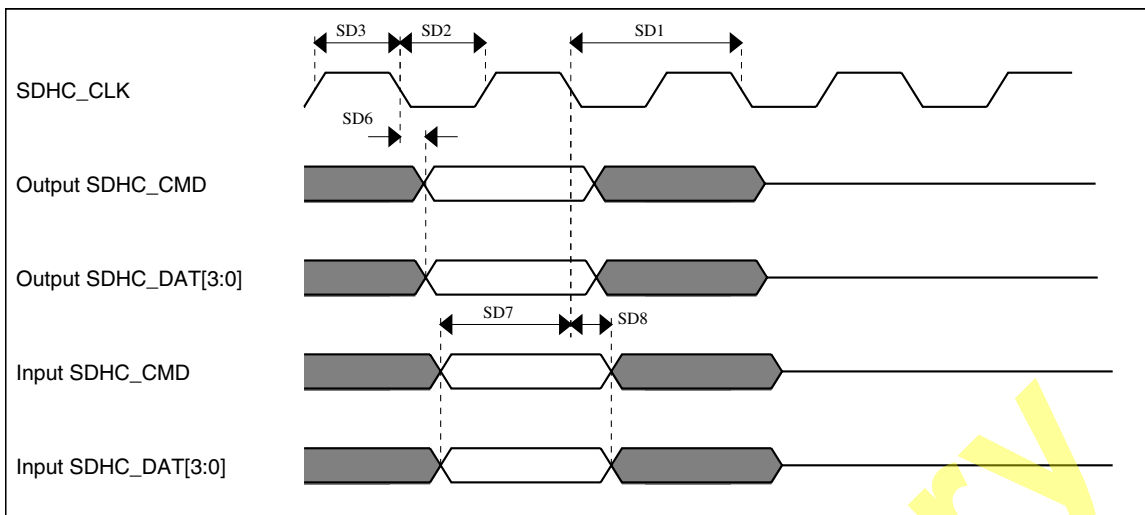


Figure 22. SDHC timing

6.8.4 I²S Switching Specifications

This section provides the AC timings for the I²S in master (clocks driven) and slave modes (clocks input). All timings are given for non-inverted serial clock polarity (TCR[TSCKP] = 0, RCR[RSCKP] = 0) and a non-inverted frame sync (TCR[TFSI] = 0, RCR[RFSI] = 0). If the polarity of the clock and/or the frame sync have been inverted, all the timings remain valid by inverting the clock signal (I2S_BCLK) and/or the frame sync (I2S_FS) shown in the figures below.

Table 39. I²S master mode timing

Num	Description	Min.	Max.	Unit
	Operating voltage	2.7	3.6	V
S1	I2S_MCLK cycle time	2 x t _{sys}		ns
S2	I2S_MCLK pulse width high/low	45%	55%	MCLK period
S3	I2S_BCLK cycle time	5 x t _{sys}	—	ns
S4	I2S_BCLK pulse width high/low	45%	55%	BCLK period
S5	I2S_BCLK to I2S_FS output valid	—	15	ns
S6	I2S_BCLK to I2S_FS output invalid	-2.5	—	ns
S7	I2S_BCLK to I2S_TXD valid	—	15	ns
S8	I2S_BCLK to I2S_TXD invalid	-3	—	ns
S9	I2S_RXD/I2S_FS input setup before I2S_BCLK	20	—	ns
S10	I2S_RXD/I2S_FS input hold after I2S_BCLK	0	—	ns

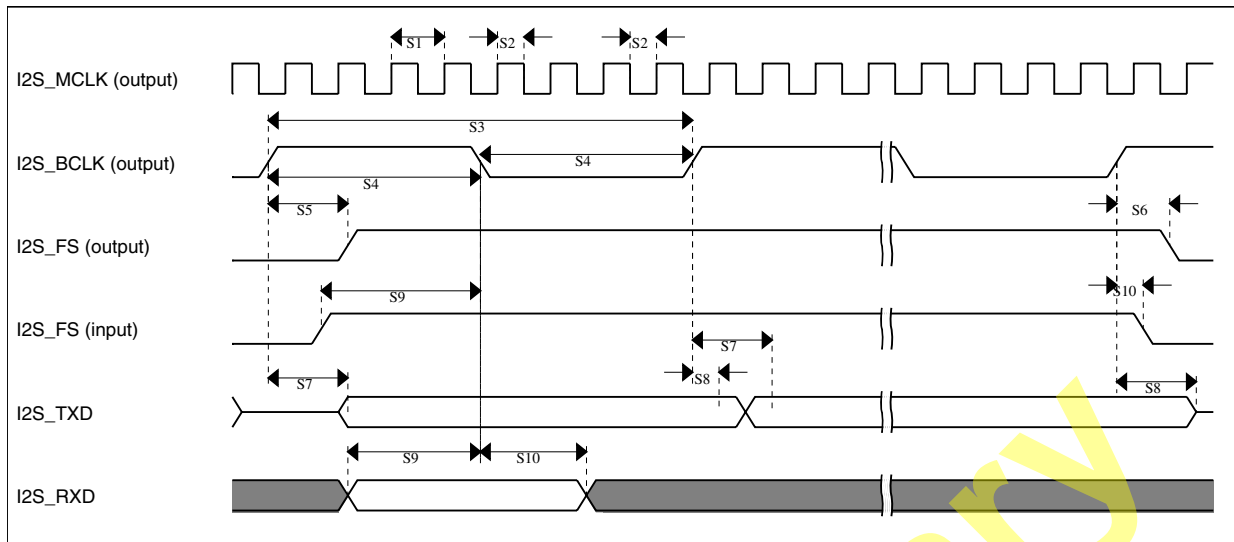


Figure 23. I²S timing — master mode

Table 40. I²S slave mode timing

Num	Description	Min.	Max.	Unit
	Operating voltage	2.7	3.6	V
S11	I2S_BCLK cycle time (input)	8 x t _{SYS}	—	ns
S12	I2S_BCLK pulse width high/low (input)	45%	55%	MCLK period
S13	I2S_FS input setup before I2S_BCLK	10	—	ns
S14	I2S_FS input hold after I2S_BCLK	3	—	ns
S15	I2S_BCLK to I2S_TXD/I2S_FS output valid	—	20	ns
S16	I2S_BCLK to I2S_TXD/I2S_FS output invalid	0	—	ns
S17	I2S_RXD setup before I2S_BCLK	10	—	ns
S18	I2S_RXD hold after I2S_BCLK	2	—	ns

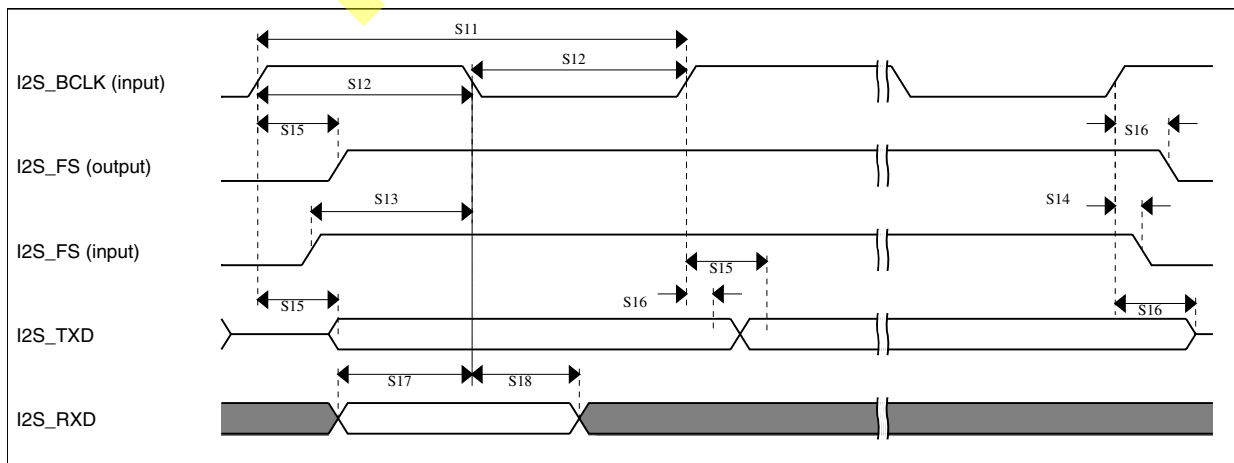


Figure 24. I²S timing — slave modes

6.9 Human-machine interfaces (HMI)

6.9.1 General Switching Specifications

These general purpose specifications apply to all signals configured for GPIO, SCI, FlexCAN, CMT, I²C, and IEEE 1588 timer signals.

Table 41. General switching specifications

Symbol	Description	Min.	Max.	Unit	Notes
	GPIO pin interrupt pulse width (digital glitch filter disabled) — Synchronous path	1.5	—	Bus clock cycles	1
	GPIO pin interrupt pulse width (digital glitch filter disabled, analog filter enabled) — Asynchronous path	100	—	ns	2
	GPIO pin interrupt pulse width (digital glitch filter disabled, analog filter disabled) — Asynchronous path	16	—	ns	2
	External reset pulse width (digital glitch filter disabled)	TBD	—		
	Mode select ($\overline{\text{EZP_CS}}$) hold time after reset deassertion	2	—	Bus clock cycles	
	Port rise and fall time (high drive strength)				3
	• Slew disabled	—	12	ns	
	• Slew enabled	—	36	ns	
	Port rise and fall time (low drive strength)				4
	• Slew disabled	—	32	ns	
	• Slew enabled	—	36	ns	

1. The greater synchronous and asynchronous timing must be met.
2. This is the shortest pulse that is guaranteed to be recognized.
3. 75pF load
4. 15pF load

6.9.2 TSI Electrical Specifications

Table 42. Touch Sensing Input module specifications

Symbol	Description	Min.	Typ.	Max.	Unit	Notes
V _{DDTSI}	Operating voltage	1.71	—	3.6	V	
C _{ELE}	Target electrode capacitance range	1	20	500	pF	1
f _{REFmax}	Reference oscillator frequency	—	5.5	TBD	MHz	

Table continues on the next page...

Table 42. Touch Sensing Input module specifications (continued)

Symbol	Description	Min.	Typ.	Max.	Unit	Notes
f_{ELEmax}	Electrode oscillator frequency	—	0.5	TBD	MHz	
C_{REF}	Internal reference capacitor	TBD	1	TBD	pF	
V_{DELTA}	Oscillator delta voltage	TBD	600	TBD	mV	
I_{REF}	Reference oscillator current source base current	TBD	1	TBD	μA	2
I_{ELE}	Electrode oscillator current source base current	TBD	1	TBD	μA	3
Pres5	Electrode capacitance measurement precision	—	TBD	TBD	%	4
Pres20	Electrode capacitance measurement precision	—	TBD	TBD	%	5
Pres100	Electrode capacitance measurement precision	—	TBD	TBD	%	6
Max-Sens20	Max sensitivity @ 20pF electrode	0.15	0.326	600	fF	7
MaxSens	Maximum sensitivity	0.006	0.326	24	fF	8
Res	Resolution	—	—	16	bits	
T_{Con20}	Response time @ 20pF	—	30	—	μs	9
$I_{\text{TSL_RUN}}$	Current added in run mode	—	TBD	—	μA	
$I_{\text{TSL_LP}}$	Low power mode current adder	—	1	TBD	μA	

1. The TSI module is functional with capacitance values outside of this range. However, optimal performance is not guaranteed.
2. The programmable current source value is generated by multiplying the SCANC[REFCHRG] value and the base current
3. The programmable current source value is generated by multiplying the SCANC[EXTCHRG] value and the base current
4. Measured with a 5pF electrode, reference oscillator frequency of 10MHz, PS = 128, NCSC = 8; Iext = 16
5. Measured with a 20pF electrode, reference oscillator frequency of 10MHz, PS = 128, NCSC = 2; Iext = 16
6. Measured with a 20pF electrode, reference oscillator frequency of 10MHz, PS = 16, NCSC = 3; Iext = 16
7. 6.2ms scan time
8. 1pF electrode capacitance with 4.96ms scan time
9. Time that takes to do one complete measurement of the electrode. Sensitivity resolution of 0.0133pF

6.9.3 LCD electrical characteristics

Table 43. LCD electricals

Symbol	Description	Min.	Typ.	Max.	Unit	Notes
f_{Frame}	LCD frame frequency	28	30	58	Hz	
C_{LCD}	LCD charge pump capacitance — nominal value	—	100	—	nF	1
C_{BYLCD}	LCD bypass capacitance — nominal value	—	100	—	nF	1
C_{Glass}	LCD glass capacitance	—	2000	8000	pF	

Table continues on the next page...

Table 43. LCD electricals (continued)

Symbol	Description	Min.	Typ.	Max.	Unit	Notes
V_{IREG}	V_{IREG} — HREFSEL = 0 <ul style="list-style-type: none"> HREFSEL = 0 HREFSEL = 1 	0.89 1.49	1.00 1.67	1.15 1.85	V V	2
Δ_{RTRIM}	V_{IREG} TRIM resolution	3.0	—	—	% V_{IREG}	
—	V_{IREG} ripple <ul style="list-style-type: none"> HREFSEL = 0 HREFSEL = 1 	— —	— —	30 50	mV mV	
I_{VIREG}	V_{IREG} current adder — RVEN = 1	—	1	—	μ A	3
I_{RBIAS}	RBIAS current adder <ul style="list-style-type: none"> HREFSEL = 0 HREFSEL = 1 	— —	10 1	— —	μ A μ A	3
R_{RBIAS}	RBIAS resistor values <ul style="list-style-type: none"> LADJ = 00 or 01 — Low load (LCD glass capacitance \leq 2000 pF) LADJ = 10 or 11 — High load (LCD glass capacitance \leq 8000 pF) 	— —	0.28 2.98	— —	M Ω M Ω	
VLL2	VLL2 voltage <ul style="list-style-type: none"> HREFSEL = 0 HREFSEL = 1 	2.0 – 5% 3.3 – 5%	2.0 3.3	— —	V V	
VLL3	VLL3 voltage <ul style="list-style-type: none"> HREFSEL = 0 HREFSEL = 1 	3.0 – 5% 5 – 5%	3.0 5	— —	V V	

1. The actual value used could vary with tolerance.
2. V_{IREG} maximum should never be externally driven to any level other than $V_{DD} - 0.15$ V
3. 2000 pF load LCD, 32 Hz frame frequency

7 Dimensions

7.1 Obtaining package dimensions

Package dimensions are provided in package drawings.

To find a package drawing, go to www.freescale.com and perform a keyword search for the drawing's document number:

If you want the drawing for this package	Then use this document number
144-pin LQFP	98ASS23177W
144-pin MAPBGA	98ASA00222D

8 Pinout

8.1 K30 Signal Multiplexing and Pin Assignments

The following table shows the signals available on each pin and the locations of these pins on the devices supported by this document. The Port Control Module is responsible for selecting which ALT functionality is available on each pin.

144 QFP	144 BGA	Default	ALT0	ALT1	ALT2	ALT3	ALT4	ALT5	ALT6	ALT7	EzPort
—	L5	NC									
—	M5	NC									
1	D3	ADC1_SE4a	ADC1_SE4a	PTE0	SPI1_PCS1	UART1_TX	SDHC0_D1	FB_AD27	I2C1_SDA		
2	D2	ADC1_SE5a	ADC1_SE5a	PTE1	SPI1_SOUT	UART1_RX	SDHC0_D0	FB_AD26	I2C1_SCL		
3	D1	ADC1_SE6a	ADC1_SE6a	PTE2	SPI1_SCK	UART1_CTS_b	SDHC0_DCLK	FB_AD25			
4	E4	ADC1_SE7a	ADC1_SE7a	PTE3	SPI1_SIN	UART1_RTS_b	SDHC0_CMD	FB_AD24			
5	E5	VDD	VDD								
6	F6	VSS	VSS								
7	E3	DISABLED		PTE4	SPI1_PCS0	UART3_TX	SDHC0_D3	FB_CS3_b/ FB_BE7_0_B LS31_24_b	FB_TA_b		
8	E2	DISABLED		PTE5	SPI1_PCS2	UART3_RX	SDHC0_D2	FB_TBST_b/ FB_CS2_b/ FB_BE15_8_ BLS23_16_b			
9	E1	DISABLED		PTE6	SPI1_PCS3	UART3_CTS_b	I2S0_MCLK	FB_ALE/ FB_CS1_b/ FB_TS_b	I2S0_CLKIN		
10	F4	DISABLED		PTE7		UART3_RTS_b	I2S0_RXD	FB_CS0_b			
11	F3	DISABLED		PTE8		UART5_TX	I2S0_RX_FS	FB_AD4			
12	F2	DISABLED		PTE9		UART5_RX	I2S0_RX_BCLK	FB_AD3			
13	F1	DISABLED		PTE10		UART5_CTS_b	I2S0_TXD	FB_AD2			
14	G4	DISABLED		PTE11		UART5_RTS_b	I2S0_TX_FS	FB_AD1			

Pinout

144 QFP	144 BGA	Default	ALT0	ALT1	ALT2	ALT3	ALT4	ALT5	ALT6	ALT7	EzPort
15	G3	DISABLED		PTE12			I2S0_TX_BCLK	FB_AD0			
16	E6	VDD	VDD								
17	F7	VSS	VSS								
18	H1	ADC0_SE4a	ADC0_SE4a	PTE16	SPI0_PCS0	UART2_TX	FTM_CLKIN0		FTM0_FLT3		
19	H2	ADC0_SE5a	ADC0_SE5a	PTE17	SPI0_SCK	UART2_RX	FTM_CLKIN1		LPT00_ALT3		
20	G1	ADC0_SE6a	ADC0_SE6a	PTE18	SPI0_SOUT	UART2_CTS_b	I2C0_SDA				
21	G2	ADC0_SE7a	ADC0_SE7a	PTE19	SPI0_SIN	UART2_RTS_b	I2C0_SCL				
22	H3	VSS	VSS								
23	J1	ADC0_DP1	ADC0_DP1								
24	J2	ADC0_DM1	ADC0_DM1								
25	K1	ADC1_DP1	ADC1_DP1								
26	K2	ADC1_DM1	ADC1_DM1								
27	L1	PGA0_DP/ ADC0_DP0/ ADC1_DP3	PGA0_DP/ ADC0_DP0/ ADC1_DP3								
28	L2	PGA0_DM/ ADC0_DM0/ ADC1_DM3	PGA0_DM/ ADC0_DM0/ ADC1_DM3								
29	M1	PGA1_DP/ ADC1_DP0/ ADC0_DP3	PGA1_DP/ ADC1_DP0/ ADC0_DP3								
30	M2	PGA1_DM/ ADC1_DM0/ ADC0_DM3	PGA1_DM/ ADC1_DM0/ ADC0_DM3								
31	H5	VDDA	VDDA								
32	G5	VREFH	VREFH								
33	G6	VREFL	VREFL								
34	H6	VSSA	VSSA								
35	K3	ADC1_SE16	ADC1_SE16								
36	J3	ADC0_SE16	ADC0_SE16								
37	M3	VREF_OUT	VREF_OUT								
38	L3	DAC0_OUT	DAC0_OUT								
39	L4	DAC1_OUT	DAC1_OUT								
40	M7	XTAL32	XTAL32								
41	M6	EXTAL32	EXTAL32								
42	L6	VBAT	VBAT								
43	—	VDD	VDD								
44	—	VSS	VSS								
45	M4	ADC0_SE17	ADC0_SE17	PTE24	CAN1_TX	UART4_TX			EWM_OUT_b		
46	K5	ADC0_SE18	ADC0_SE18	PTE25	CAN1_RX	UART4_RX		FB_AD23	EWM_IN		

144 QFP	144 BGA	Default	ALT0	ALT1	ALT2	ALT3	ALT4	ALT5	ALT6	ALT7	EzPort
47	K4	DISABLED		PTE26		UART4_CTS_b		FB_AD22	RTC_CLKOUT		
48	J4	DISABLED		PTE27		UART4_RTS_b		FB_AD21			
49	H4	DISABLED		PTE28				FB_AD20			
50	J5	JTAG_TCLK/ SWD_CLK/ EZP_CLK	TSI0_CH1	PTA0	UART0_CTS_b	FTM0_CH5				JTAG_TCLK/ SWD_CLK	EZP_CLK
51	J6	JTAG_TDI/ EZP_DI	TSI0_CH2	PTA1	UART0_RX	FTM0_CH6				JTAG_TDI	EZP_DI
52	K6	JTAG_TDO/ TRACE_SW O/EZP_DO	TSI0_CH3	PTA2	UART0_TX	FTM0_CH7				JTAG_TDO/ TRACE_SW O	EZP_DO
53	K7	JTAG_TMS/ SWD_DIO	TSI0_CH4	PTA3	UART0_RTS_b	FTM0_CH0				JTAG_TMS/ SWD_DIO	
54	L7	NMI_b/ EZP_CS_b	TSI0_CH5	PTA4		FTM0_CH1				NMI_b	EZP_CS_b
55	M8	JTAG_TRST		PTA5		FTM0_CH2		CMP2_OUT	I2S0_RX_BCLK	JTAG_TRST	
56	E7	VDD	VDD								
57	G7	VSS	VSS								
58	J7	DISABLED		PTA6		FTM0_CH3		FB_CLKOUT		TRACE_CLK OUT	
59	J8	ADC0_SE10	ADC0_SE10	PTA7		FTM0_CH4		FB_AD18		TRACE_D3	
60	K8	ADC0_SE11	ADC0_SE11	PTA8		FTM1_CH0		FB_AD17	FTM1_QD_P HA	TRACE_D2	
61	L8	DISABLED		PTA9		FTM1_CH1		FB_AD16	FTM1_QD_P HB	TRACE_D1	
62	M9	DISABLED		PTA10		FTM2_CH0		FB_AD15	FTM2_QD_P HA	TRACE_D0	
63	L9	DISABLED		PTA11		FTM2_CH1		FB_OE_b	FTM2_QD_P HB		
64	K9	CMP2_IN0	CMP2_IN0	PTA12	CAN0_TX	FTM1_CH0		FB_CS5_b/ FB_TSIZ1/ FB_BE23_16 _BLS15_8_b	I2S0_TXD	FTM1_QD_P HA	
65	J9	CMP2_IN1	CMP2_IN1	PTA13	CAN0_RX	FTM1_CH1		FB_CS4_b/ FB_TSIZ0/ FB_BE31_24 _BLS7_0_b	I2S0_TX_FS	FTM1_QD_P HB	
66	L10	DISABLED		PTA14	SPI0_PCS0	UART0_TX		FB_AD31	I2S0_TX_BCLK		
67	L11	DISABLED		PTA15	SPI0_SCK	UART0_RX		FB_AD30	I2S0_RXD		
68	K10	DISABLED		PTA16	SPI0_SOUT	UART0_CTS_b		FB_AD29	I2S0_RX_FS		
69	K11	ADC1_SE17	ADC1_SE17	PTA17	SPI0_SIN	UART0_RTS_b		FB_AD28	I2S0_MCLK	I2S0_CLKIN	
70	E8	VDD	VDD								

Pinout

144 QFP	144 BGA	Default	ALT0	ALT1	ALT2	ALT3	ALT4	ALT5	ALT6	ALT7	EzPort
71	G8	VSS	VSS								
72	M12	EXTAL	EXTAL	PTA18		FTM0_FLT2	FTM_CLKIN0				
73	M11	XTAL	XTAL	PTA19		FTM1_FLT0	FTM_CLKIN1		LPT0_ALT1		
74	L12	RESET_b	RESET_b								
75	K12	DISABLED		PTA24				FB_AD14			
76	J12	DISABLED		PTA25				FB_AD13			
77	J11	DISABLED		PTA26				FB_AD12			
78	J10	DISABLED		PTA27				FB_AD11			
79	H12	DISABLED		PTA28				FB_AD10			
80	H11	DISABLED		PTA29				FB_AD19			
81	H10	LCD_P0/ ADC0_SE8/ ADC1_SE8/ TSI0_CH0	LCD_P0/ ADC0_SE8/ ADC1_SE8/ TSI0_CH0	PTB0	I2C0_SCL	FTM1_CH0			FTM1_QD_P HA	LCD_P0	
82	H9	LCD_P1/ ADC0_SE9/ ADC1_SE9/ TSI0_CH6	LCD_P1/ ADC0_SE9/ ADC1_SE9/ TSI0_CH6	PTB1	I2C0_SDA	FTM1_CH1			FTM1_QD_P HB	LCD_P1	
83	G12	LCD_P2/ ADC0_SE12/ TSI0_CH7	LCD_P2/ ADC0_SE12/ TSI0_CH7	PTB2	I2C0_SCL	UART0_RTS _b			FTM0_FLT3	LCD_P2	
84	G11	LCD_P3/ ADC0_SE13/ TSI0_CH8	LCD_P3/ ADC0_SE13/ TSI0_CH8	PTB3	I2C0_SDA	UART0_CTS _b			FTM0_FLT0	LCD_P3	
85	G10	LCD_P4/ ADC1_SE10	LCD_P4/ ADC1_SE10	PTB4					FTM1_FLT0	LCD_P4	
86	G9	LCD_P5/ ADC1_SE11	LCD_P5/ ADC1_SE11	PTB5					FTM2_FLT0	LCD_P5	
87	F12	LCD_P6/ ADC1_SE12	LCD_P6/ ADC1_SE12	PTB6						LCD_P6	
88	F11	LCD_P7/ ADC1_SE13	LCD_P7/ ADC1_SE13	PTB7						LCD_P7	
89	F10	LCD_P8	LCD_P8	PTB8		UART3_RTS _b				LCD_P8	
90	F9	LCD_P9	LCD_P9	PTB9	SPI1_PCS1	UART3_CTS _b				LCD_P9	
91	E12	LCD_P10/ ADC1_SE14	LCD_P10/ ADC1_SE14	PTB10	SPI1_PCS0	UART3_RX			FTM0_FLT1	LCD_P10	
92	E11	LCD_P11/ ADC1_SE15	LCD_P11/ ADC1_SE15	PTB11	SPI1_SCK	UART3_TX			FTM0_FLT2	LCD_P11	
93	H7	VSS	VSS								
94	F5	VDD	VDD								
95	E10	LCD_P12/ TSI0_CH9	LCD_P12/ TSI0_CH9	PTB16	SPI1_SOUT	UART0_RX			EWM_IN	LCD_P12	
96	E9	LCD_P13/ TSI0_CH10	LCD_P13/ TSI0_CH10	PTB17	SPI1_SIN	UART0_TX			EWM_OUT_b	LCD_P13	

144 QFP	144 BGA	Default	ALT0	ALT1	ALT2	ALT3	ALT4	ALT5	ALT6	ALT7	EzPort
97	D12	LCD_P14/ TSIO_CH11	LCD_P14/ TSIO_CH11	PTB18	CAN0_TX	FTM2_CH0	I2S0_TX_BC LK		FTM2_QD_P HA	LCD_P14	
98	D11	LCD_P15/ TSIO_CH12	LCD_P15/ TSIO_CH12	PTB19	CAN0_RX	FTM2_CH1	I2S0_TX_FS		FTM2_QD_P HB	LCD_P15	
99	D10	LCD_P16	LCD_P16	PTB20	SPI2_PCS0				CMP0_OUT	LCD_P16	
100	D9	LCD_P17	LCD_P17	PTB21	SPI2_SCK				CMP1_OUT	LCD_P17	
101	C12	LCD_P18	LCD_P18	PTB22	SPI2_SOUT				CMP2_OUT	LCD_P18	
102	C11	LCD_P19	LCD_P19	PTB23	SPI2_SIN	SPI0_PCS5				LCD_P19	
103	B12	LCD_P20/ ADC0_SE14/ TSIO_CH13	LCD_P20/ ADC0_SE14/ TSIO_CH13	PTC0	SPI0_PCS4	PDB0_EXTR G	I2S0_TXD			LCD_P20	
104	B11	LCD_P21/ ADC0_SE15/ TSIO_CH14	LCD_P21/ ADC0_SE15/ TSIO_CH14	PTC1	SPI0_PCS3	UART1_RTS _b	FTM0_CH0			LCD_P21	
105	A12	LCD_P22/ ADC0_SE4b/ CMP1_IN0/ TSIO_CH15	LCD_P22/ ADC0_SE4b/ CMP1_IN0/ TSIO_CH15	PTC2	SPI0_PCS2	UART1_CTS _b	FTM0_CH1			LCD_P22	
106	A11	LCD_P23/ CMP1_IN1	LCD_P23/ CMP1_IN1	PTC3	SPI0_PCS1	UART1_RX	FTM0_CH2			LCD_P23	
107	H8	VSS	VSS								
108	C10	VLL3	VLL3								
109	C9	VLL2	VLL2								
110	B9	VLL1	VLL1								
111	B10	VCAP2	VCAP2								
112	A10	VCAP1	VCAP1								
113	A9	LCD_P24	LCD_P24	PTC4	SPI0_PCS0	UART1_TX	FTM0_CH3		CMP1_OUT	LCD_P24	
114	D8	LCD_P25	LCD_P25	PTC5	SPI0_SCK		LPT0_ALT2		CMP0_OUT	LCD_P25	
115	C8	LCD_P26/ CMP0_IN0	LCD_P26/ CMP0_IN0	PTC6	SPI0_SOUT	PDB0_EXTR G				LCD_P26	
116	B8	LCD_P27/ CMP0_IN1	LCD_P27/ CMP0_IN1	PTC7	SPI0_SIN					LCD_P27	
117	A8	LCD_P28/ ADC1_SE4b/ CMP0_IN2	LCD_P28/ ADC1_SE4b/ CMP0_IN2	PTC8		I2S0_MCLK	I2S0_CLKIN			LCD_P28	
118	D7	LCD_P29/ ADC1_SE5b/ CMP0_IN3	LCD_P29/ ADC1_SE5b/ CMP0_IN3	PTC9			I2S0_RX_BC LK		FTM2_FLT0	LCD_P29	
119	C7	LCD_P30/ ADC1_SE6b/ CMP0_IN4	LCD_P30/ ADC1_SE6b/ CMP0_IN4	PTC10	I2C1_SCL		I2S0_RX_FS			LCD_P30	
120	B7	LCD_P31/ ADC1_SE7b	LCD_P31/ ADC1_SE7b	PTC11	I2C1_SDA		I2S0_RXD			LCD_P31	
121	A7	LCD_P32	LCD_P32	PTC12		UART4_RTS _b				LCD_P32	
122	D6	LCD_P33	LCD_P33	PTC13		UART4_CTS _b				LCD_P33	

Pinout

144 QFP	144 BGA	Default	ALT0	ALT1	ALT2	ALT3	ALT4	ALT5	ALT6	ALT7	EzPort
123	C6	LCD_P34	LCD_P34	PTC14		UART4_RX				LCD_P34	
124	B6	LCD_P35	LCD_P35	PTC15		UART4_TX				LCD_P35	
125	A6	LCD_P36	LCD_P36	PTC16	CAN1_RX	UART3_RX				LCD_P36	
126	D5	LCD_P37	LCD_P37	PTC17	CAN1_TX	UART3_TX				LCD_P37	
127	C5	LCD_P38	LCD_P38	PTC18		UART3_RTS_b				LCD_P38	
128	B5	LCD_P39	LCD_P39	PTC19		UART3_CTS_b				LCD_P39	
129	A5	LCD_P40	LCD_P40	PTD0	SPI0_PCS0	UART2_RTS_b				LCD_P40	
130	D4	LCD_P41/ ADC0_SE5b	LCD_P41/ ADC0_SE5b	PTD1	SPI0_SCK	UART2_CTS_b				LCD_P41	
131	C4	LCD_P42	LCD_P42	PTD2	SPI0_SOUT	UART2_RX				LCD_P42	
132	B4	LCD_P43	LCD_P43	PTD3	SPI0_SIN	UART2_TX				LCD_P43	
133	A4	LCD_P44	LCD_P44	PTD4	SPI0_PCS1	UART0_RTS_b	FTM0_CH4		EWM_IN	LCD_P44	
134	A3	LCD_P45/ ADC0_SE6b	LCD_P45/ ADC0_SE6b	PTD5	SPI0_PCS2	UART0_CTS_b	FTM0_CH5		EWM_OUT_b	LCD_P45	
135	A2	LCD_P46/ ADC0_SE7b	LCD_P46/ ADC0_SE7b	PTD6	SPI0_PCS3	UART0_RX	FTM0_CH6		FTM0_FLT0	LCD_P46	
136	M10	VSS	VSS								
137	F8	VDD	VDD								
138	A1	LCD_P47	LCD_P47	PTD7	CMT_IRO	UART0_TX	FTM0_CH7		FTM0_FLT1	LCD_P47	
139	B3	DISABLED		PTD10		UART5_RTS_b		FB_AD9			
140	B2	DISABLED		PTD11	SPI2_PCS0	UART5_CTS_b	SDHC0_CLKIN	FB_AD8			
141	B1	DISABLED		PTD12	SPI2_SCK		SDHC0_D4	FB_AD7			
142	C3	DISABLED		PTD13	SPI2_SOUT		SDHC0_D5	FB_AD6			
143	C2	DISABLED		PTD14	SPI2_SIN		SDHC0_D6	FB_AD5			
144	C1	DISABLED		PTD15	SPI2_PCS1		SDHC0_D7	FB_RW_b			

8.2 K30 Pinouts

The below figure shows the pinout diagram for the devices supported by this document. Many signals may be multiplexed onto a single pin. To determine what signals can be used on which pin, see the previous section.

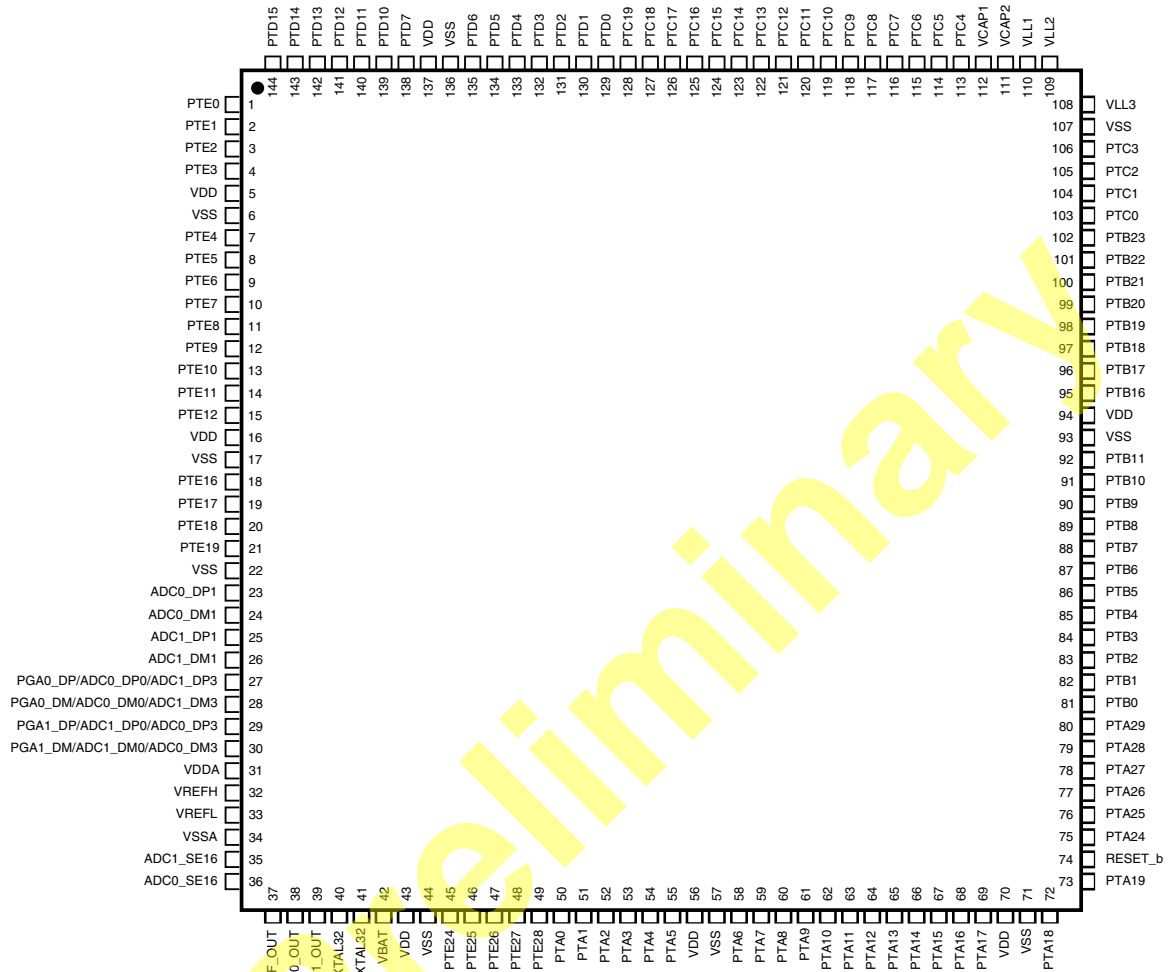


Figure 25. K30 144 LQFP Pinout Diagram

Revision History

	1	2	3	4	5	6	7	8	9	10	11	12	
A	PTD7	PTD6	PTD5	PTD4	PTD0	PTC16	PTC12	PTC8	PTC4	VCAP1	PTC3	PTC2	A
B	PTD12	PTD11	PTD10	PTD3	PTC19	PTC15	PTC11	PTC7	VLL1	VCAP2	PTC1	PTC0	B
C	PTD15	PTD14	PTD13	PTD2	PTC18	PTC14	PTC10	PTC6	VLL2	VLL3	PTB23	PTB22	C
D	PTE2	PTE1	PTE0	PTD1	PTC17	PTC13	PTC9	PTC5	PTB21	PTB20	PTB19	PTB18	D
E	PTE6	PTE5	PTE4	PTE3	VDD	VDD	VDD	VDD	PTB17	PTB16	PTB11	PTB10	E
F	PTE10	PTE9	PTE8	PTE7	VDD	VSS	VSS	VDD	PTB9	PTB8	PTB7	PTB6	F
G	PTE18	PTE19	PTE12	PTE11	VREFH	VREFL	VSS	VSS	PTB5	PTB4	PTB3	PTB2	G
H	PTE16	PTE17	VSS	PTE28	VDDA	VSSA	VSS	VSS	PTB1	PTB0	PTA29	PTA28	H
J	ADC0_DP1	ADC0_DM1	ADC0_SE16	PTE27	PTA0	PTA1	PTA6	PTA7	PTA13	PTA27	PTA26	PTA25	J
K	ADC1_DP1	ADC1_DM1	ADC1_SE16	PTE26	PTE25	PTA2	PTA3	PTA8	PTA12	PTA16	PTA17	PTA24	K
L	PGA0_DP/ ADC0_DP0/ ADC1_DP3	PGA0_DM/ ADC0_DM0/ ADC1_DM3	DAC0_OUT	DAC1_OUT	NC	VBAT	PTA4	PTA9	PTA11	PTA14	PTA15	RESET_b	L
M	PGA1_DP/ ADC1_DP0/ ADC0_DP3	PGA1_DM/ ADC1_DM0/ ADC0_DM3	VREF_OUT	PTE24	NC	EXTAL32	XTAL32	PTA5	PTA10	VSS	PTA19	PTA18	M
	1	2	3	4	5	6	7	8	9	10	11	12	

Figure 26. K30 144 MAPBGA Pinout Diagram

9 Revision History

The following table provides a revision history for this document.

Table 44. Revision History

Rev. No.	Date	Substantial Changes
1	11/2010	Initial public revision

How to Reach Us:

Home Page:

www.freescale.com

Web Support:

<http://www.freescale.com/support>

USA/Europe or Locations Not Listed:

Freescale Semiconductor, Inc.
Technical Information Center, EL516
2100 East Elliot Road
Tempe, Arizona 85284
1-800-521-6274 or +1-480-768-2130
www.freescale.com/support

Europe, Middle East, and Africa:

Freescale Halbleiter Deutschland GmbH
Technical Information Center
Schatzbogen 7
81829 Muenchen, Germany
+44 1296 380 456 (English)
+46 8 52200080 (English)
+49 89 92103 559 (German)
+33 1 69 35 48 48 (French)
www.freescale.com/support

Japan:

Freescale Semiconductor Japan Ltd. Headquarters
ARCO Tower 15F
1-8-1, Shimo-Meguro, Meguro-ku,
Tokyo 153-0064
Japan
0120 191014 or +81 3 5437 9125
support.japan@freescale.com

Asia/Pacific:

Freescale Semiconductor China Ltd.
Exchange Building 23F
No. 118 Jianguo Road
Chaoyang District
Beijing 100022
China
+86 10 5879 8000
support.asia@freescale.com

Freescale Semiconductor Literature Distribution Center
P.O. Box 5405
Denver, Colorado 80217
1-800-441-2447 or +1-303-675-2140
Fax: +1-303-675-2150
LDCForFreescaleSemiconductor@hibbertgroup.com

Information in this document is provided solely to enable system and software implementers to use Freescale Semiconductor products. There are no express or implied copyright licenses granted hereunder to design or fabricate any integrated circuits or integrated circuits based on the information in this document.

Freescale Semiconductor reserves the right to make changes without further notice to any products herein. Freescale Semiconductor makes no warranty, representation or guarantee regarding the suitability of its products for any particular purpose, nor does Freescale Semiconductor assume any liability arising out of the application or use of any product or circuit, and specifically disclaims any and all liability, including without limitation consequential or incidental damages. "Typical" parameters that may be provided in Freescale Semiconductor data sheets and/or specifications can and do vary in different applications and actual performance may vary over time. All operating parameters, including "Typicals", must be validated for each customer application by customer's technical experts. Freescale Semiconductor does not convey any license under its patent rights nor the rights of others. Freescale Semiconductor products are not designed, intended, or authorized for use as components in systems intended for surgical implant into the body, or other applications intended to support or sustain life, or for any other application in which the failure of the Freescale Semiconductor product could create a situation where personal injury or death may occur. Should Buyer purchase or use Freescale Semiconductor products for any such unintended or unauthorized application, Buyer shall indemnify and hold Freescale Semiconductor and its officers, employees, subsidiaries, affiliates, and distributors harmless against all claims, costs, damages, and expenses, and reasonable attorney fees arising out of, directly or indirectly, any claim of personal injury or death associated with such unintended or unauthorized use, even if such claim alleges that Freescale Semiconductor was negligent regarding the design or manufacture of the part.

Freescale™ and the Freescale logo are trademarks of Freescale Semiconductor, Inc. ARM is the registered trademark of ARM Limited. ARM Cortex-M4 is the trademark of ARM Limited. All other product or service names are the property of their respective owners.

© Freescale Semiconductor, Inc. 2010. All rights reserved.

K30P144M100SF2

Rev. 1
11/2010

